

Cargo LED Module

Intellitec's Cargo LED Module, (00-01019-000/100), is an environmentally sealed design to provide LED light inside marine, automotive, and recreational vehicle compartment areas such as engine compartments, cargo storage areas, baggage areas or other limited access areas.

INSTALLATION

The Cargo LED Module installs simply by positioning the module housing in the desired orientation using existing holes provided in the housing. The mechanical details for mounting the module is located on the back side of this document.

APPLICATION

The module works with Intellitec's Programmable Multiplex Control, (PMC), family, or RV Multipoint Master output modules or as a 'Stand alone' device. The two leads from the Cargo LED module are connected to an output module providing the user with multipoint switching capability and convenience.



Part Number:
00-01019-000 (12V)

The approximate module dimensions for the Cargo LED Module is switch panel is 3 5/16" X 3 3/16" X 1 1/8" (84.14mm X 79.4mm X 28.6mm). *It should be installed in the interior of the vehicle with limited exposure to the external environment. The LED PCB is 2 3/16" Long " x 7/16" wide x 5/16" High (55.63mm x 11.11mm x 7.954mm).*



Intellitec

131 Eisenhower Lane North
Lombard, IL 60148
630.268.0010 / 1.800.251.2408
FAX 630.916.7890

www.intellitec.com

P/N 53-01019-000 Rev. A 090908

Cargo LED Module

Specifications:

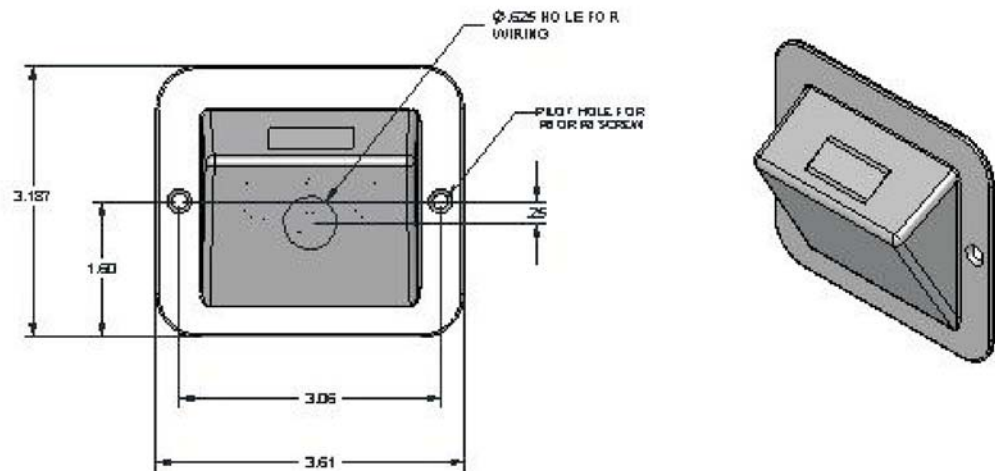
Module

	00-01019-000*	00-01019-100*
Nominal Vehicle Voltage	12V	12V
Max Current Draw, total	140 mA Nominal	140 mA Nominal
LED Color	Cool White, minimum 4500 K, typical 6500K	
Radiation Pattern	120 Degrees	120 Degrees
Outputs* by part number	-070 High Intensity	-040 Low Intensity
Environmental	Protected inside vehicle	
Operating Temperature	-40 Degrees C to 80 Degrees C	

General Connections

- J1 Red Wire, Vehicle Battery, typical output range is 9 to 16 VDC, 22 Awg Min.
J2 Black Wire, Vehicle Ground, 22 Awg Min.

Typical Installation Diagram:



Intellitec

131 Eisenhower Lane North
Lombard, IL 60148
630.268.0010 / 1.800.251.2408
FAX 630.916.7890

P/N 53-01019-000 Rev. A 090908