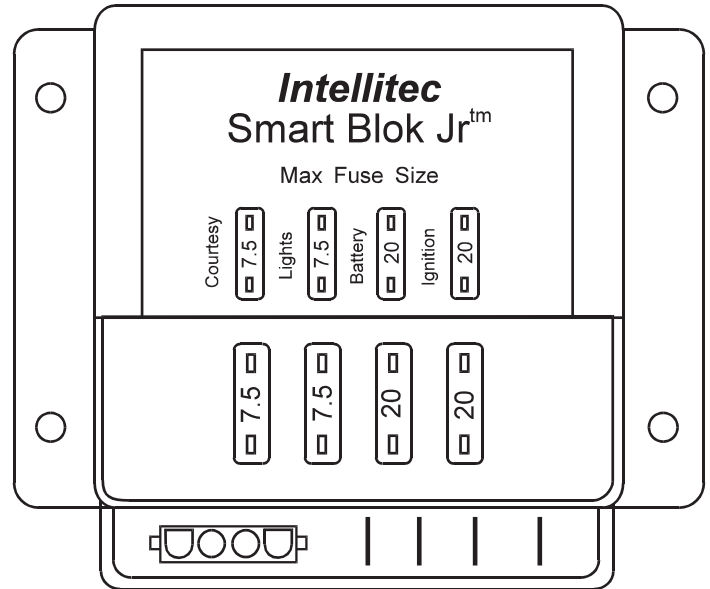


Smart Blok Jr™

Smart Blok Jr. is the newest member of the Smart Blok family designed specifically for use in your conversion pick-up truck or Suburban. **Smart Blok Jr.** provides the fusing for the vehicle converter added loads, and time controlled outputs for the lights. This eliminates a main cause of dead batteries in conversion vehicles. Some other battery saving devices treat the symptom of a dead battery, **Smart Blok Jr.** cures the cause of the dead battery.

Smart Blok Jr. knows when you leave the vehicle and it turns off all of the power to the lights ten minutes later. When you enter the vehicle, **Smart Blok Jr.** automatically turns the power back on to your lights. This allows the occupant to have power to the lights without having to turn on the ignition.

That's not all. **Smart Blok Jr.** senses if the battery voltage is getting too low and turns the lights off in less than two minutes rather than ten. When **Smart Blok Jr.** turns off the power, there is no "hidden" button to press. The next time you enter the vehicle, or turn on the key, it resets automatically.



Part Number 00-00333-000

Smart Blok Jr includes the customer pleasing interior light delay feature. This keeps the courtesy lights on for up to twelve seconds after the doors are closed. It gives the occupants time to fasten their seat belts and to put the keys in the ignition. If the doors are left open however, **Smart Blok Jr** turns off the courtesy lights in ten minutes to prevent the battery from being drained.

Since OEMs are now recommending the use of auxiliary fuse panels, why not use the one with all of these customer pleasing features. **Smart Blok Jr** will make a great addition to your electrical system.



Intellitec

131 Eisenhower Lane North
Lombard, IL 60148
630.268.0010 / 1.800.251.2408
FAX 630.916.7890

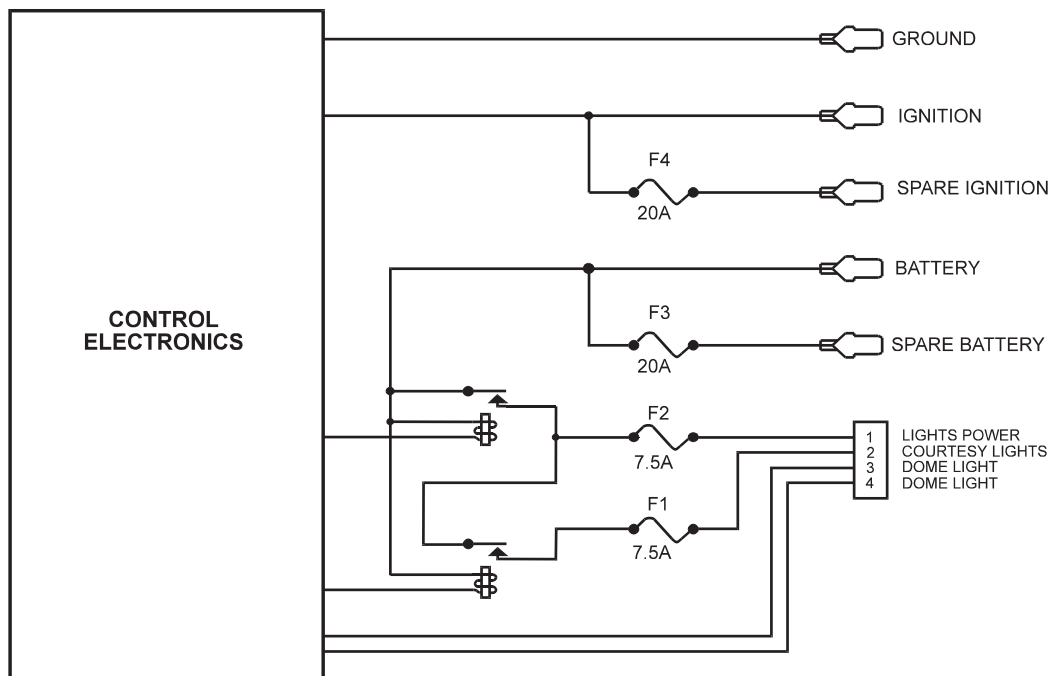
Smart Blok Jr TM

Specifications:

Part Number	00-00333-000
Operating Voltage	10.0 to 16.0 Volts DC
Operating Temperature	-40.0 F to +185.0 F (-40.0 C to +85.0 C)
Interior Light Time Delay	12 seconds
System Shutdown	Approximately 10 minutes with Battery Voltage above 12.1 volts and Ignition Off. Approximately 2 minutes with Battery Voltage below 12.1 and Ignition Off.

Fuse Information:

Courtesy	7.5 Amps
Lights	7.5 Amps
Ignition	20 Amps
Battery	20 Amps



Intellitec

131 Eisenhower Lane North
Lombard, IL 60148
630.268.0010 / 1.800.251.2408
FAX 630.916.7890