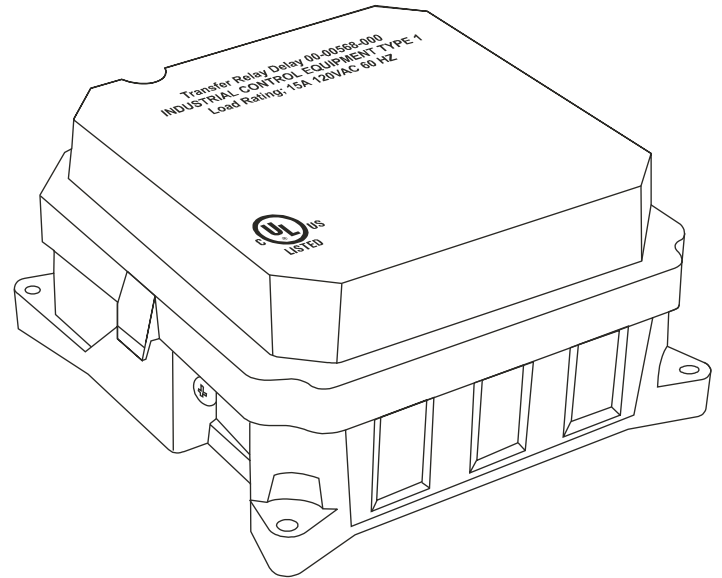


Transfer Relay Delays

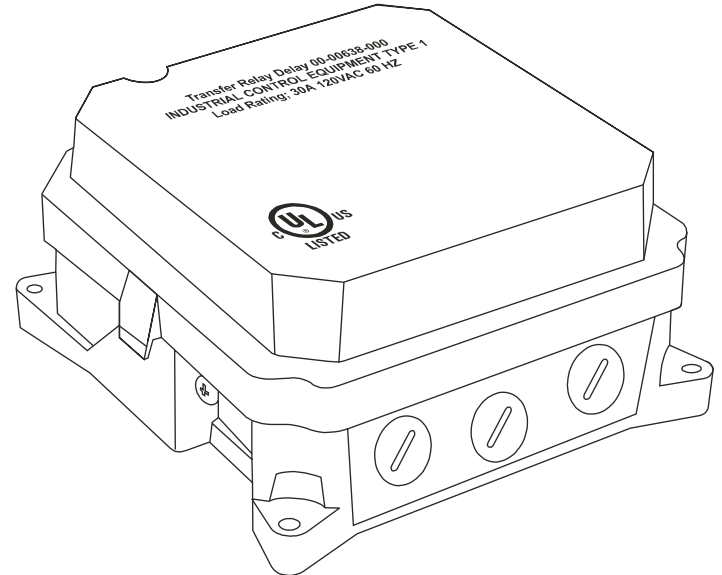
Intellitec's **Transfer Relay Delays** are designed to automatically transfer a 120 VAC load, between two power sources, such as generator and shore power. The units are responsive to one of its inputs. If power is applied to that input, after a 15 second delay, the load will be switched to that input. This input is typically fed from the generator of an RV, to transfer the load to the generator from shore power, when the generator is running.



Part Number 00-00568-000

The **Transfer Relay Delays** are housed in a light weight plastic enclosure making installation simple and convenient. The housing for the 15 amp unit incorporates integral cable restraints, eliminating the need for separate connectors. The housing for the 30 amp unit offers knock-outs for 3/4" electrical connectors.

Electrical connections are made in the box with screw terminals. The cover snaps on and uses a single retaining screw for safety.



Part Number 00-00638-000

There are two models of **Transfer Relay Delays**. One model is capable of carrying up to 15 amps of current. The other model is capable of carrying up to 30 amps. Both of these units have both UL and CSA recognition.



Intellitec

131 Eisenhower Lane North
Lombard, IL 60148
630.268.0010 / 1.800.251.2408
FAX 630.916.7890

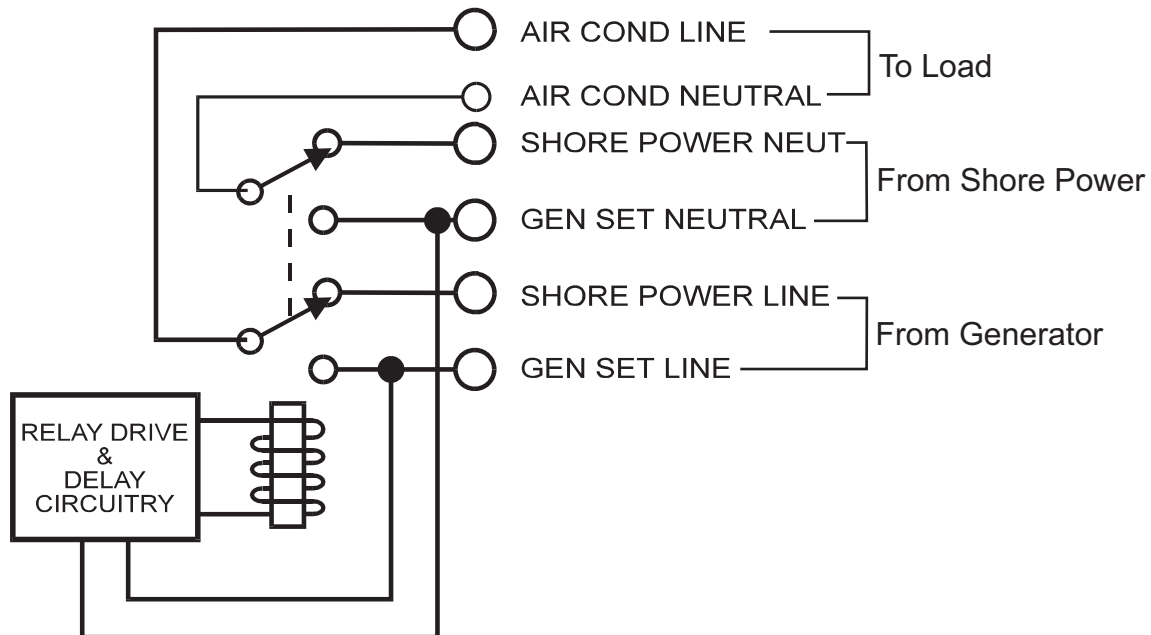
Transfer Relay Delays

Intellitec's Transfer Relay Delays operate by sensing the voltage at an input, adding a delay and then transferring the load to that active input.

Specifications:

| | | |
|----------------------------------|----------------------|---------------------|
| Part Number | <u>00-00568-000</u> | <u>00-00638-000</u> |
| Maximum Continuous Carry Current | 15 Amps | 30Amps |
| Maximum Ambient Temperature | 185 Degrees F. | 185 Degrees F. |
| Minimum Ambient Temperature | -40 Degrees F. | -40 Degrees F. |
| Approximate Overall Size | 5 3/4" X 5 3/4" X 3" | |

Typical Wiring Diagram



Intellitec

131 Eisenhower Lane North
Lombard, IL 60148
630.268.0010 / 1.800.251.2408
FAX 630.916.7890

P/N 53-00568-000 Rev. 082901