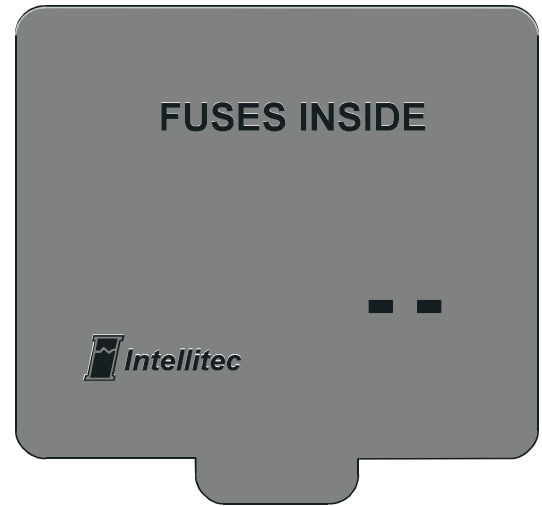


Flush Mount Fuse Block

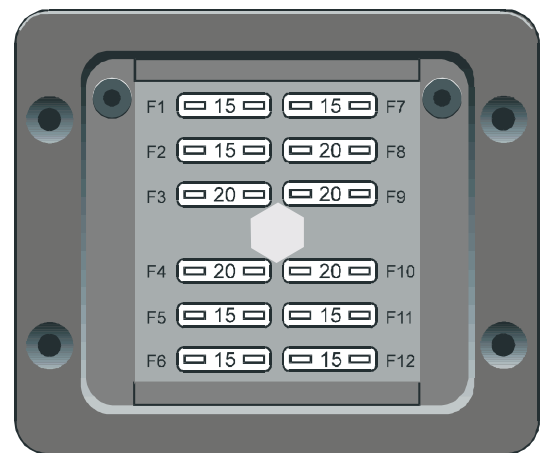
Intellitec's Flush Mount Fuse Block is the ideal answer to the problem of installing a fused distribution panel in a vehicle where a "finished" look is demanded. The Block provides spaces for up to twelve automotive type, ATO fuses. There are two versions, one with a single power input and the other with two separate power inputs. In the dual input version, the fuses are divided into two groups of six fuses and four, each fed from its own power input. There is also a single, isolated fuse that can be fed from a third source. The unit comes with a snap-on cover that, when in place, hides the fuses, fuse puller, and mounting screws.

Mounting consists of cutting a rectangular hole in the mounting surface and screwing the block into the wall. All the connections are made at the rear of the block to conceal the wires.

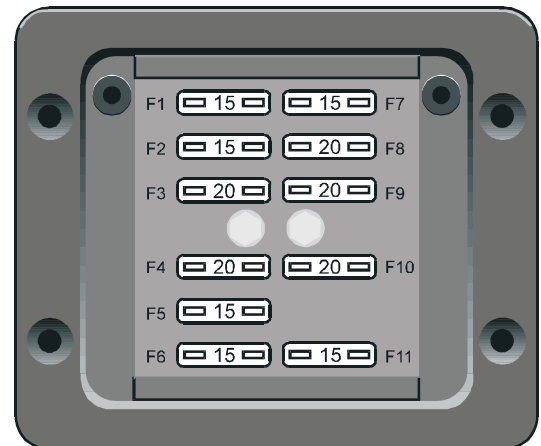
The power from the source is fed into the block via ring terminal/s connected to studs on the board. The connections to the loads are made through two, 6 pin Mate-N-Lok connectors to make installation easy and fool-proof.



Cover in position



MODEL 00-00585-000



MODEL 00-00628-000

P/N 53-00585-000 Rev. A 091201



Intellitec

131 Eisenhower Lane North
Lombard, IL 60148
630.268.0010 / 1.800.251.2408
FAX 630.916.7890

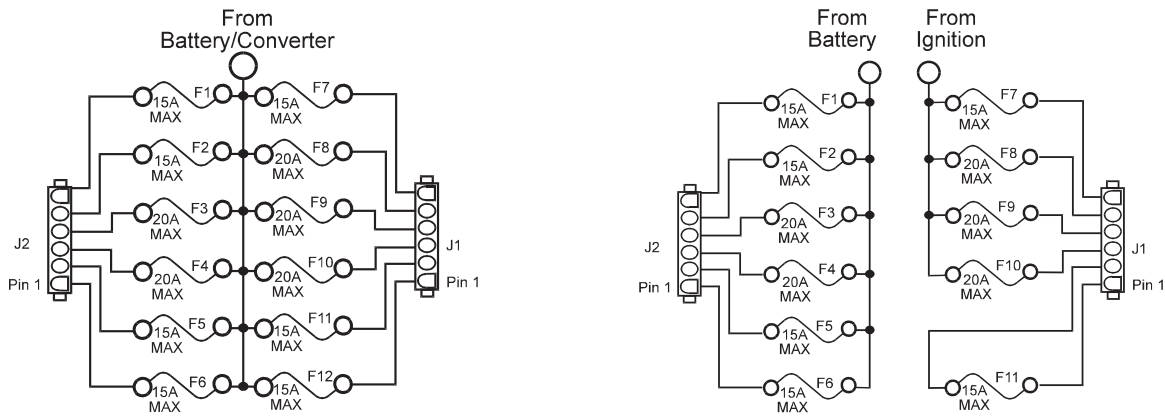
Flush Mount Fuse Block

Intellitec's Flush Mount Fuse Block is intended to provide fused 12 or 24 volt power to a group of accessories in a vehicle. Power is fed into the Block from either a single or dual input connection (depending on the model) and is distributed to each of the twelve fuses. Load connections are made through AMP Mate-N-Lok connectors.

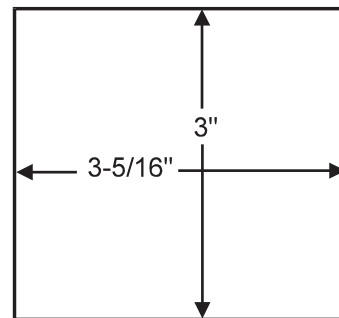
Specifications:

Model	Single Input	Dual Input
Part Number	00-00585-000	00-00628-000
Maximum Continuous Carry Current	100 Amps Total Max.	100 Amps Total Max.
Maximum Ambient Temperature	185 Degrees F.	185 Degrees F.
Minimum Ambient Temperature	-40 Degrees F.	-40 Degrees F.
Power Feed connection	1/4" ring terminal	#10 ring terminals
Mating Output Connector (6 pin)	AMP 1-480704-0	AMP 1-480704-0

Schematics:



Panel Cut Out



Intellitec

131 Eisenhower Lane North
Lombard, IL 60148
630.268.0010 / 1.800.251.2408
FAX 630.916.7890

P/N 53-00585-000 Rev. A 091201