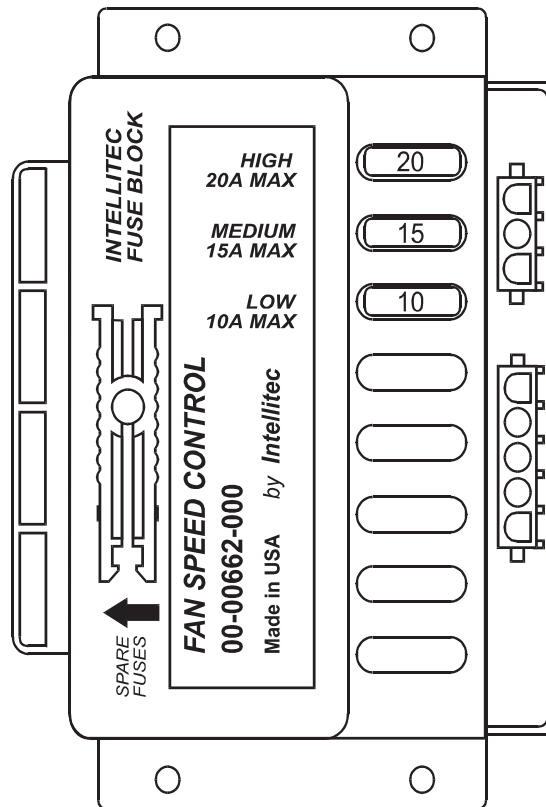


Bus/Limo Fan Speed Module

Intellitec's Fan Speed Module is the ideal answer to the problem of controlling the fan speed in limousines and small buses. This module provides three, individually fused outputs to feed the air conditioning/heating fan. It is controlled from a remote switch panel with two small gauge wires. The switch can be either a four position such as a rotary, or four momentary switches. With the four position, the speed is selected by putting the switch in the desired position. When using momentary switches, briefly pressing any of the four momentary switches will change the speed to that setting. When momentary switches are used, any number of switch panels can easily be used to control to fan from more than one location. If less than three speeds are needed, the number of positions on the switch can be reduced to the desired number.

The module is equipped with an output that can be connected to the Switch input of another Fan Speed Module in applications where more than one fan is being used. With this connection, all the fans in the system will operate at the same speed from the single switch input.



Part Number 00-00662-000



Intellitec

131 Eisenhower Lane North
Lombard, IL 60148
630.268.0010 / 1.800.251.2408
FAX 630.916.7890

Bus/Limo Fan Speed Module

How It Works:

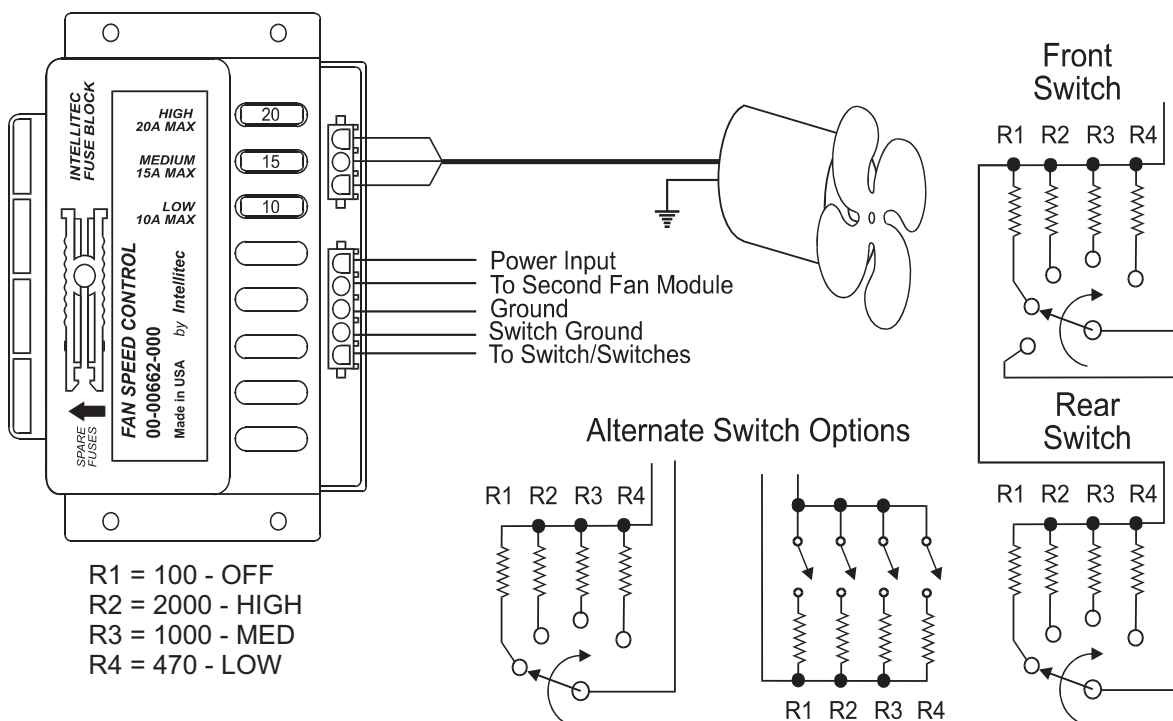
The **Fan Speed Module** controls the speed of the HVAC fan through three relays with individually fused outputs. The module senses the voltage at the Switch input. As different values of resistors are connected to this line from ground, the speed of the fan is changed. The speed is "latched" in the module so that the Switch line can be "opened" and the fan will continue to operate the set speed. This allows the module to be used with either a multi-position switch, such as a rotary, or using momentary switches, any number of panels at different locations can be used.

Grounding the switch line will stop the fan.

Specifications:

| | 12 Volt | 24 Volt |
|----------------------------------|----------------|----------------|
| Part Number | 00-00662-000 | 00-00662-240 |
| Maximum Continuous Carry Current | 25 Amps Max. | 25 Amps Max. |
| Maximum Ambient Temperature | 185 Degrees F. | 185 Degrees F. |
| Minimum Ambient Temperature | -40 Degrees F. | -40 Degrees F. |

Schematic:



Intellitec

131 Eisenhower Lane North
Lombard, IL 60148
630.268.0010 / 1.800.251.2408
FAX 630.916.7890

P/N 53-00662-000 Rev. 0226203