

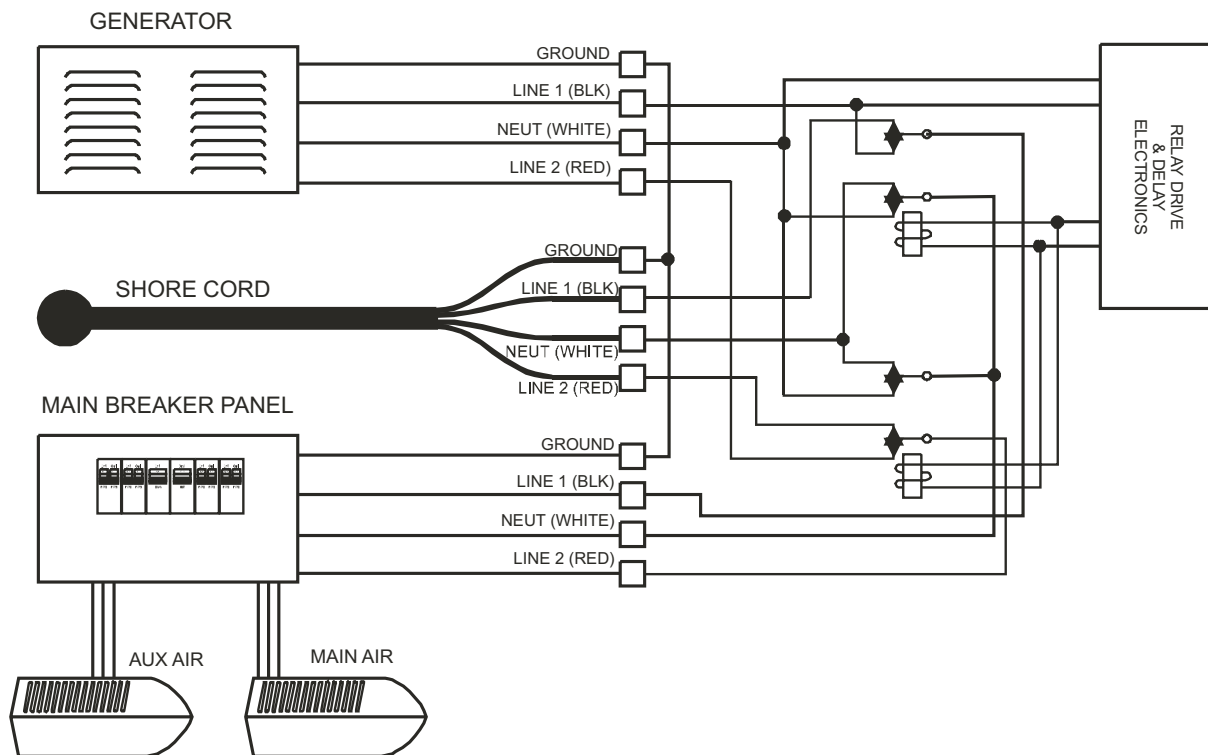
50 Amp Transfer Relay

The Intellitec 50 amp change over operates by sensing the voltage from the generator. When the generator is turned on, a timing circuit is initialized. After approximately 15 seconds, the relays are engaged the power will be directed from the generator.

Specifications:

Part Number	00-00768-000
Maximum continuous carry current per line	50 amps
Maximum continuous carry current on neutral	100 amps
Maximum ambient temperature	185 degrees

TYPICAL 50 AMP SERVICE CONNECTIONS



Intellitec

131 Eisenhower Lane North
Lombard, IL 60148
630.268.0010 / 1.800.251.2408
FAX 630.916.7890

P/N 53-00768-000 Rev. A 083101