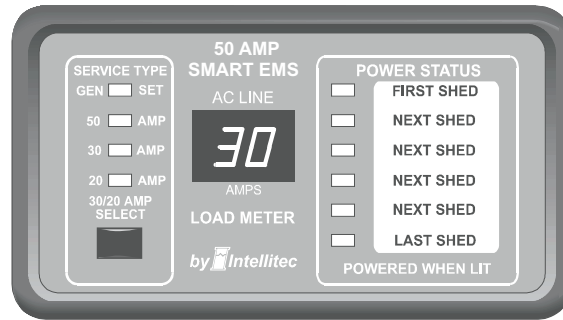
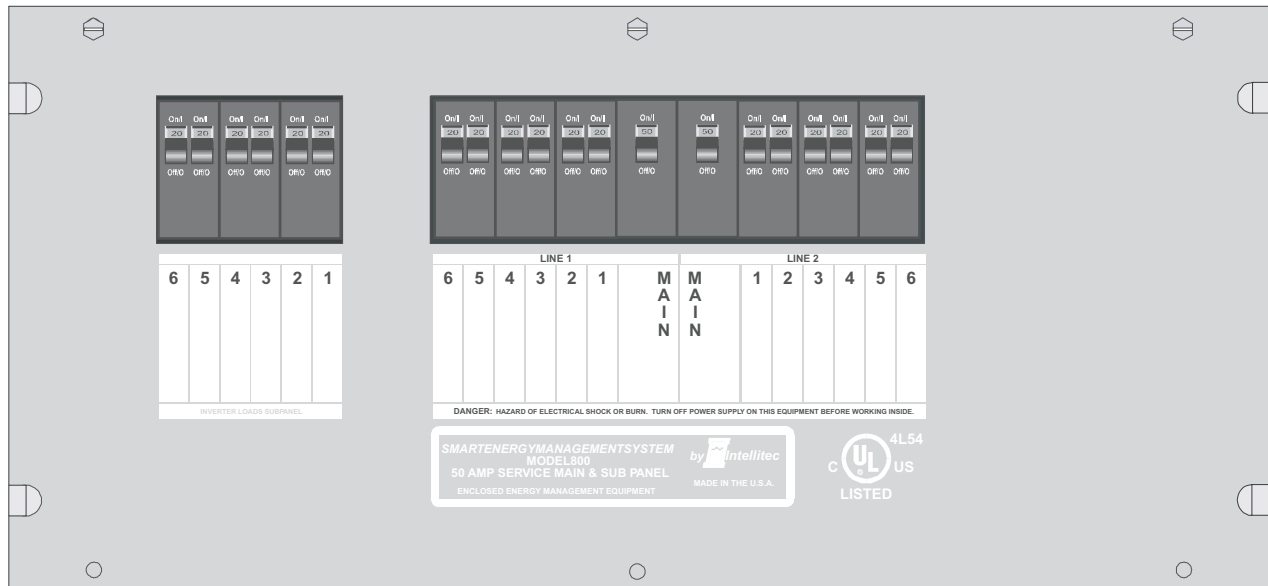


50 AMP Smart Energy Management System™ Model 800

SERVICE MANUAL



50 Amp EMS Display Panel
P/N 00-00903-050 (Black)
P/N 00-00903-150 (Ivory)



50 AMP EMS MODEL 800 DISTRIBUTION PANEL
P/N 00-00894-300

CAUTION

The 50 AMP SMART EMS - Model 800 is a centralized power switching, fusing and distribution center. Power from the 120/240 volt power source is fed into the box. The potential of lethal electrical shock is present in this box. Inadvertent shorts at this box could result in damage and/or injury. All servicing of this box should be done ONLY by a qualified Service Technician.

Diagnostic tools required: Low current Test Light, Accurate Voltmeter (digital read-out preferred), Clamp-on AC ammeter.

Intellitec

131 Eisenhower Lane North
Lombard, IL 60148
630.268.0010 / 1.800.251.2408

50 AMP Smart Energy Management System™ Model 800

PRODUCT DESCRIPTION

The **50 AMP SMART EMS™ Model 800** provides main circuit protection for 120/240 VAC single-phase incoming lines and branch circuit protection for up to 12 circuits, including Energy Management of up to six selected branch circuits. A sub-panel is available on the Model 800 for up to 6 sub-breakers for inverter connected loads. If 120 VAC - 30/20 Amp source is available, the control helps to limit the total current draw of all the appliances in the RV at or below 30/20 Amps provided by the main power feed. The **50 Amp Smart EMS™ Model 800** consists of two elements: the **Display Panel** and the Model 800 **Distribution Panel**. The Display Panel is mounted on a wall, or suitable surface remotely from the Distribution Panel and convenient to the user. The Model 800 Distribution Panel is a completely self-contained 120/240 volt power distribution and energy management system intended to be used in recreational vehicles. It is housed in a sheet metal enclosure with removable front panel, providing circuit protection for all the 120 VAC loads in the RV and a system of energy management to minimize the over-loading and tripping of circuit breakers. In addition, the Model 800 Distribution Panel incorporates a sub-panel to accommodate inverter/converter connected loads.

CIRCUIT BREAKERS

Circuit protection for ALL the 120 VAC loads is offered by standard, reset-able circuit breakers, provided by the installer. There are eight positions available for circuit breakers on the Main Distribution Panel. The breakers located in the two center stab positions must be 50 Amp breakers to act as the main breakers for the entire system. These breakers back-feed power into the circuit breaker bus to feed power to the branch breakers. The remaining six positions on the Main Distribution Panel may be occupied by single or dual units. All the loads in the RV, including the inverter/converter, are fed from the branch breakers. The 120 VAC output of the inverter is fed to a sub-panel containing three positions that may be occupied by single or dual units.

SYSTEM COMMUNICATIONS

The **50 Amp Smart EMS™ Control Module** utilizes Intellitec's RV Multiplex/PMC (Programmable Multiplex Control) System as the communications link between the **Display Panel** and the **Distribution Panel**. As an additional diagnostic feature, the system includes two Communication Status LED's on the Control Module. In normal operation, when the **Control Module** is configured in the Stand-Alone Mode, or as the RV Multiplex system, the green "IPX OK" LED should be lit and the red "IPX Fail" LED should not be lit.

Utilizing the RV Multiplex/PMC system, the Smart EMS System can:

- 1) Operate as a Stand-Alone system.
- 2) Operate as a RV Multiplex System Master in a RV Multiplex System, allowing other devices such as Inverter/converters, input and output modules, and switch panels, to communicate with each other and the Smart EMS System.
- 3) Operate as a PMC Transceiver with the addition of a PMC Central Processing Unit (CPU).

ENERGY MANAGEMENT

The 50 Amp Smart EMS™ Model 800 automatically senses the available power to the vehicle and determines whether it is connected to a 120 VAC - 30 Amp shore power source, 240 VAC - 50 Amp shore power source, or Generator source. Depending upon available power, it controls the operation of 6 possible loads that may include: the front and rear air conditioner fan and compressor using low voltage switching and other 120 Volt loads, such as the refrigerator, water heater, washer/dryer, microwave oven, or other large appliances. These appliances may be any type load, but are typically heavier loads, those whose use can be "postponed" until a time when current is available for their use. If the available power source is 120 VAC - 30 Amp shore power, it attempts to keep the total 120 volt current draw to less than 30 Amps.

NOTE When connected to 50 Amp - 240 VAC service the Energy Management features of the unit are disabled and the Unit switches all controlled loads "ON".

The main neutral line is routed through the magnetically coupled current sensor, which measures the current flowing through the neutral line. This is the total amount being drawn by all the 120 volt appliances in the RV when the available power service is 120 VAC. When this current exceeds the "shore" service rating of 30 Amps (20 Amps if the threshold has been set lower, or the generator service rating, and 240 VAC service is not available, the **50 AMP SMART EMS™** will turn off the controlled loads in an effort to bring the total current to the limit of the incoming service.

Intellitec

131 Eisenhower Lane North
Lombard, IL 60148
630.268.0010 / 1.800.251.2408

50 AMP Smart Energy Management System™ Model 800

CONTROLLED LOADS

The system offers control of up to six powered loads; each one connected to one of the relay circuits of the **50 AMP Smart EMS™** system. Four of these relays, relays 1, 2, 3, and 4, are 30 Amp relays with normally-open contacts used to interrupt the 120 volt power to the loads. These circuits are intended to control 120 volt appliances such as refrigerator, water heater, washer/dryer, coffee maker, etc.

For the 120 VAC switched loads, power is routed from the individual branch circuit breakers to one of these 120 VAC relays on the Control Module. The controlled load is then fed from that relay.

The remainder of the relays, relays 5 and 6, are intended to switch low voltage loads. Relays 5 and 6 are single-pole, double-throw relays with all contacts available. These relays are intended to control air conditioners, or other appliances equipped with low voltage controls or thermostats. The contacts of the relays are typically wired in series with the low voltage controls, or thermostats of air conditioners so the **EMS** turns off only the compressor, or the compressor and fan. These circuits could also control other 120 volt appliances if an additional control relay is added externally.

OPERATION IN VEHICLES USING AVAILABLE SERVICE

The **EMS** is turned on by the presence of 120VAC, or 240VAC at the L1 or L2 inputs (J6, pin 3 and 1 respectively). This feature is intended to prevent the **EMS** from drawing excessive current from the +12 VDC battery supply when not in operation.

When 120 VAC or 240 VAC power is applied, the system automatically powers up and determines the nature of the power source.

240 VAC 50A SERVICE

If 240 VAC, 50 Amp service is available, the energy management feature is disabled and all control relay contacts are closed, energizing all of the controlled loads. The Control Module sends a signal to the Display Module which causes the load meter to go blank, the 50 AMP service indicator to light, and all power status indicators to light. If 240 VAC exists between the L1 and L2 inputs and the generator is running, the **EMS** will operate in the 240VAC 50A Service mode, independent of the presence of other sources.

120 VAC GEN-SET SERVICE

If the generator is running, a +12 VDC signal will be present at J2 pin 2 on the Control Module. If the L1 and L2 inputs are at the same voltage (0 Volts between L1 and L2 and 120 VAC between either L1 or L2 and Neutral) the Control Module sends a signal to the Display Module causing the load meter to display actual load current and the GEN SET service indicator to light. If the Genset EMS feature is not enabled (*default*) all loads will be turned on, independent of the load rating of the generator, and all power status indicators will light. If the Gen Set EMS featured is enabled (*installers option*), loads will turn ON until the load rating of the generator is reached and the status indicators for those loads will light.

120 VAC SHORE POWER

If 120 VAC is present at the L1 and L2 inputs and **no** +12 VDC signal is present at J2 pin 2 on the Control Module, the **EMS** will assume that 120 VAC, 30 Amp shore power is available and the energy management feature will be enabled. If only 20 Amp service is available, the user must select the 20 AMP service mode by momentarily pressing the 20/30 Amp select switch on the Control Panel.

Initially, the control turns all loads on with a one-second interval and the total current is monitored. If the total current should exceed the service limit, the system will turn off the first load in the shedding table. As it turns the loads off, it calculates the amount of current that was removed, which is the value for that load. This value is placed in memory. If the current remains above the service limit, the system will turn off the next load in the shedding table. Again, it calculates the amount of current that was removed and places the value for that load in memory. The system continues to turn off loads until the total current falls below the service limit, or all of the six controlled loads have been shed. Through this process, the system has "learned" the amount of current that each particular load draws. This feature compensates for the differences in current draw over a range of line voltage and ambient temperature, by re-learning the load each time it is turned off, or "shed".

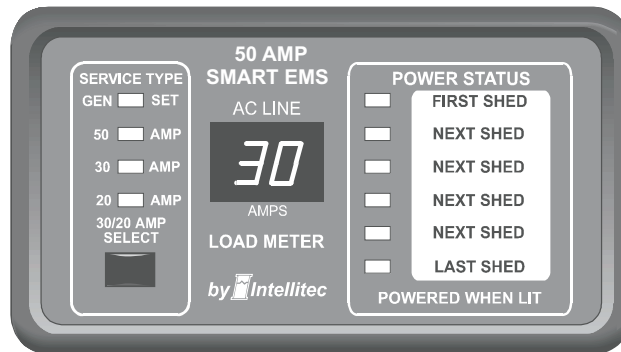
The **50 Amp Smart EMS™** now waits until the total current is lower than the service limit and enough current is available (*as compared with the amount in memory for the last load shed*) before it will turn that load back on. This assures that there is sufficient current to operate the load.

NOTE: There is a **two-minute minimum delay** period after a load is shed before the load can be turned back on again, to prevent air conditioners from turning on with a head of pressure. During this delay period, if there is enough current available to energize the load, the LED status indicator for that load will flash. After the delay period expires, the load will be energized and the indicator will turn ON.

Intellitec

131 Eisenhower Lane North
Lombard, IL 60148
630.268.0010 / 1.800.251.2408

50 AMP Smart Energy Management System™ Model 800



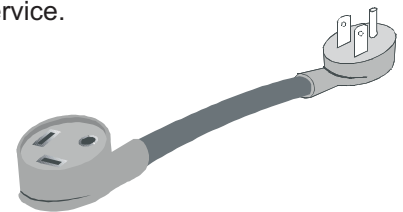
DISPLAY PANEL

The Display Panel can be mounted remotely and connects to the main unit with a light gauge, three-wire cable. Six Power Status LED's indicate power is applied to those loads. These LED's are ON when the power is applied. If 120 VAC service is available, the Load Meter has a two-digit display to indicate the amount of current actually being drawn by all the appliances in the coach. If 240 VAC service is available, the two-digit loadmeter goes blank.

Four service type LED's indicate the source for 120/240 VAC power. Three of these sources are automatically detected and indicated by the **EMS**, namely; Gen Set service, 50 Amp 240 VAC service, and 30 Amp 120 VAC service.

When 120 VAC shore power is first applied, the system will always be in the 30 Amp mode. The 30/20 Amp indicator LED will be ON when the system is in the 30 Amp mode. The 20 Amp service mode is not automatically detected. The operator must manually select the 20 Amp mode, when 20 Amp service is available. The "Service Select" button allows the current threshold to be set to either 30 Amps, or 20 Amps to match the incoming service.

If the pictured adaptor is used on the incoming service, press the "Service Select" button to select the 20 Amp mode. Momentarily pressing this button again will switch the system back to the 30Amp mode.



The Display Panel can also be used to display the **value of current stored in memory** for each of the six loads. To display the values of current stored in memory for each of the six loads, push and hold the "Service Select" button. The uppermost LED will illuminate and the stored value will appear on the load meter. Pushing "Service Select" again, will cycle to the next load. After the last stored value has been displayed, or if the Service Select button has not been pressed during a five second period, the load meter will return to normal operation and display total current draw.

Intellitec

131 Eisenhower Lane North
Lombard, IL 60148
630.268.0010 / 1.800.251.2408

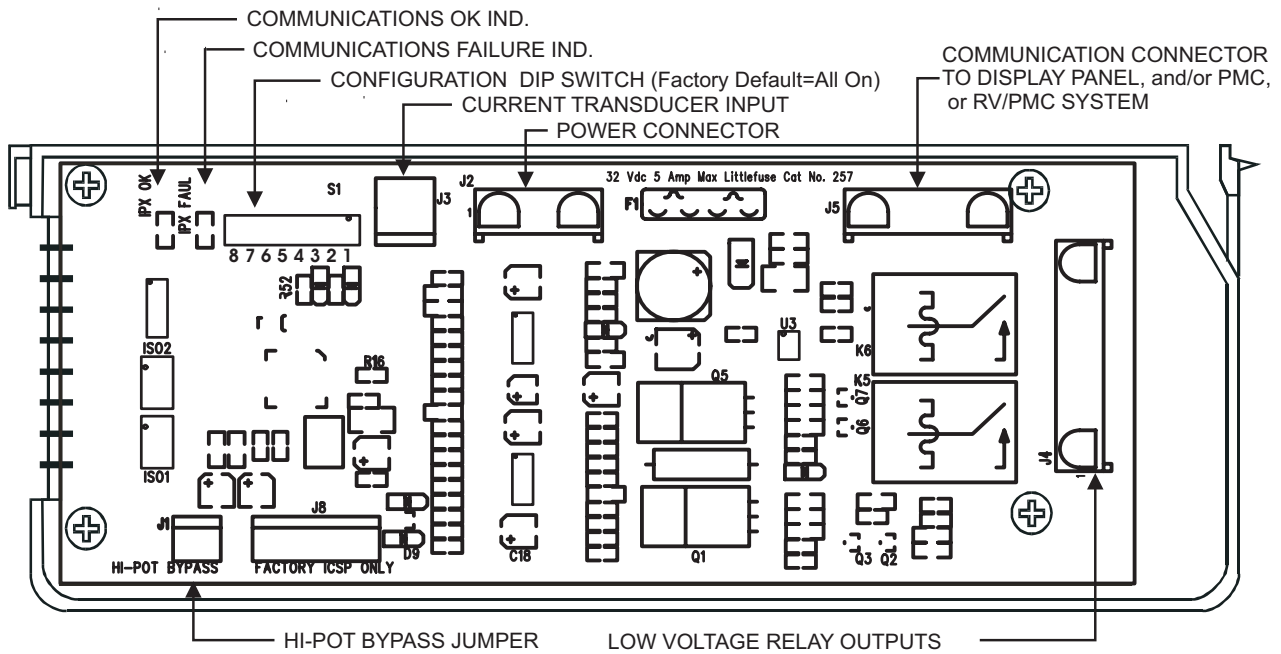
50 AMP Smart Energy Management System™ Model 800

INSTALLATION

THE CONTROL MODULE

The first step when installing an EMS, is to determine which loads will be controlled and in what order they will be shed. A typical scheme would be to control the two air conditioners, the water heater and the washer/dryer. With these loads, the first load to be shed should be the water heater, as it's loss of operation would be the least noticed (*it would switch to operate on gas, if needed*). The next would be the bedroom air, the third, the washer dryer and finally the main air. Choosing this sequence would provide the least inconvenience to the occupants. User discretionary loads, such as microwave ovens, coffee pots, hair dryers, etc. *should never be* considered as **EMS** controlled loads.

The EMS Control Module has an eight position dip-switch on the board to configure the features active in the system. The switches in positions 1 thru 3 determine the order of shedding of the loads (*See figure below*). The switch in position 4 determines if the Gen set EMS feature is enabled. The switch in position 5 establishes the rating of the generator. Additional switches in positions 6 thru 8 are reserved for future control configurations.



50 AMP EMS CONTROL MODULE - LOW VOLTAGE CONNECTION SIDE

These dip-switches are all preset to "ON" at the factory. Changing the setting of S1-1, S1-2, or S1-3 will alter the order of shedding to suit the particular need of the installation. The following tables will assist in determining the proper settings for S1 thru S3. Dip-switch S4 determines if energy management is enabled when 120 VAC Gen-Set service is available. If S4 is in the "on" position, energy management will be disabled, but the Display Panel will still display total system current. If S4 is in the "OFF" position, energy management will be enabled and the current rating of the Gen-Set needs to be selected using dip-switch S5. With S5 set to the "ON" position, system current drawn from the generator will be limited to 45 Amps. With S5 set to the "OFF" position, system current drawn from the generator will be limited to 60 Amps.

50 AMP Smart Energy Management System™ Model 800

SHEDDING ORDER DETERMINATION

First, fill in the blanks with the names of the loads you want the system to shed, in the order they are to be shed, with the first to be shed at the top. Then, fill in the second "Load Type" column with an "A" or a "D". "A" for a 120 VAC controlled load such as a washer/dryer, or "D" for DC controlled load, such as a thermostat wire. You can select a maximum of 4 AC and 2 DC relays.

LOAD NAME (First to Shed at Top)	LOAD TYPE	1	2	3	4	5	6	7	8
		D	A	A	A	A	D	A	A
		D	D	A	A	A	A	D	A
		A	D	D	A	A	D	A	D
		A	A	D	D	A	A	D	A
		A	A	A	D	D	A	A	D
		A	A	A	A	D	A	A	A

Next, looking across the other eight columns, find the one that matches the "Load Type" column you just filled in. Using the number at the top of the column, look in the table below to determine the settings of the three switches, S1-1, S1-2, and S1-3. An "ON" means the switch should be closed and an "OFF" means the switch should be open.

COLUMN NUMBER	1	2	3	4	5	6	7	8
S1-1	ON	OFF	ON	OFF	ON	OFF	ON	OFF
S1-2	ON	ON	OFF	OFF	ON	ON	OFF	OFF
S1-3	ON	ON	ON	ON	OFF	OFF	OFF	OFF
RELAY SHED ORDER (Top is First Shed)	6	4	4	4	4	6	4	4
	5	6	3	3	3	4	6	3
	4	5	6	2	2	5	3	6
	3	3	5	6	1	3	5	2
	2	2	2	5	6	2	2	5
	1	1	1	1	5	1	1	1

At the bottom of each column is the Relay Shed Order. This determines which relays will be used for each load. The one at the top of the column is first to be shed. The one below it will turn off next, and so forth. The loads **MUST** be wired in this order for the system to operate as desired.

Finally, the number and size of the circuit breakers should be selected to meet the needs of the installation. The breakers can be either single, or dual types. The center two breakers on the Main Distribution Panel **MUST** be 50 Amp units to act as the Main breakers. The breakers must be obtained and then installed in the box. (See information on breaker types later in this manual.)

Intellitec

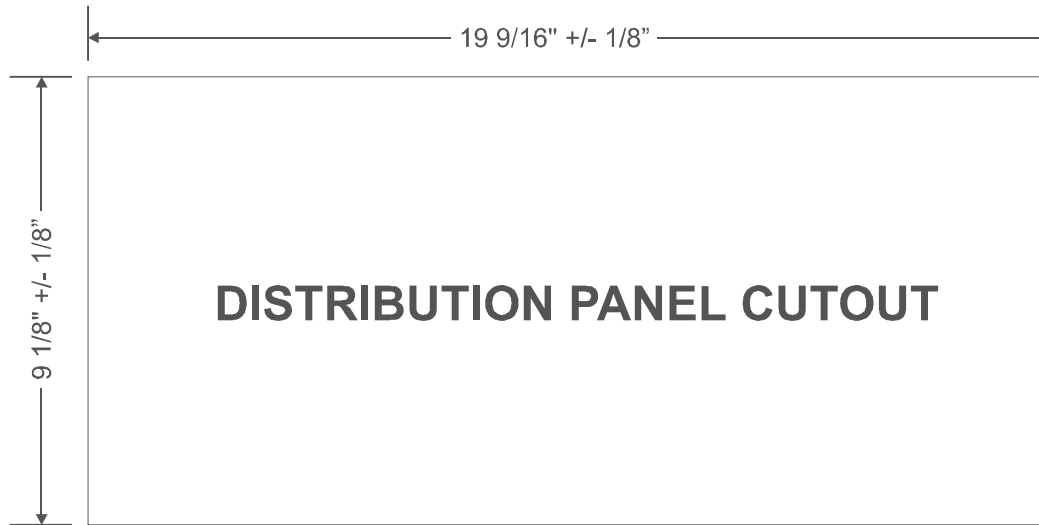
131 Eisenhower Lane North
Lombard, IL 60148
630.268.0010 / 1.800.251.2408

50 AMP Smart Energy Management System™ Model 800

DISTRIBUTION PANEL

The EMS Distribution Panel should be installed in a convenient location where it can get air circulation to keep it from over heating. There should be a minimum of 7" of depth behind the mounting surface to provide enough room for the box and wiring.

Cut a hole in the mounting panel as shown here:



Carefully cut opening, allowing enough wood to hold the mounting screws and to allow enough clearance around the box for the front cover screws.

The wiring to the box should be routed through the holes in the back and secured using approved cable connectors. The wires should be **Copper conductors ONLY**, with the appropriate size and insulation to meet N.E.C. requirements.

The main supply cable should be brought through the large hole in the lower center of the box and secured with an appropriate connector. The "LINE 1" and "LINE 2" supply mains should be connected to the corresponding Main Breaker. The Main Ground lead should be connected to the nearest GROUND bar terminal strip. The current sensor should be mounted in a knock-out hole near the insulated NEUTRAL block, so that the signal leads from the current sensor exit the rear of the box. These signal wires should be routed through the lower right hole into the low voltage section of the EMS and connected to J3 (a 2-pin connector on the low voltage side of the Control Module). The inverter/converter should be wired so that the AC input to the inverter/converter is supplied via a branch breaker on the Main Distribution Panel and the 120 VAC output of the inverter/converter wired to the individual lug on the far right side of the sub-panel.

The Main NEUTRAL wire should be routed through the CURRENT SENSOR and connected to an appropriate position on the insulated NEUTRAL block.

There are 8 positions for circuit breakers on the Main Distribution Panel and 3 positions for circuit breakers on the Sub-Panel in the box. The circuit breakers can be single or dual types. The breakers in the two center positions of the Main Distribution Panel **MUST** be rated at 50 Amps to be used as the Main Breakers.

The following breakers are suitable for MAIN and BRANCH breakers:

Eaton Cutler-Hammer: BR, BD, GFCB, Filler Plate BRFP
Siemens-DPD: QP, QT, Filler Plate QF3

Replacement circuit breakers must be of the same type and rating.

Intellitec

131 Eisenhower Lane North
Lombard, IL 60148
630.268.0010 / 1.800.251.2408

50 AMP Smart Energy Management System™ Model 800

DISTRIBUTION PANEL *(continued)*

Branch circuit wires should be routed through the remaining knock-out holes in the back of the box. The wires should be stripped and the ground wire of each cable connected to the GROUND bar terminal strip. The white, or neutral wires, should all be connected to the NEUTRAL bar terminal strip. The black, or "hot" leads of all the uncontrolled loads should be connected to their associated breakers. **Tighten each terminal screw to 35 in.-lb. of torque.** (See box drawing.)

If removed during installation, the white jumper wire should be re-installed between the NEUTRAL block and J6, terminal 5 of the EMS module labeled "NEUTRAL". (See box drawing, page 15.)

NOTE To insure proper operation of the source sensing circuitry on the 50 AMP EMS™ Model 800, jumper wires must always be connected from a Line 1 breaker to J6 terminal 3, and from a Line 2 breaker to J6 terminal 1. These connections must be made even though Relay 1 or Relay 2 may not be used for controlled loads.

NOTE J6 and J7 terminal blocks will accept up to 12 GA or 14 GA copper wire ONLY.

The black wires to the controlled loads should be connected to the proper relay output screw terminals of J6 and J7 on the EMS control module. Be sure these wires are under the screw terminals and that they are tight.

Connections are as follows:

<u>J6 Terminal</u>	<u>Function</u>
1	From Circuit Breaker for Relay 2 (<i>MUST be connected to a LINE 2 Breaker</i>)
2	Output of Relay 2
3	From Circuit Breaker for Relay 1 (<i>MUST be connected to a LINE 1 Breaker</i>)
4	Output of Relay 1
5	Neutral

<u>J7 Terminal</u>	<u>Function</u>
1	Output of Relay 3
2	From Circuit Breaker for Relay 3
3	Output of Relay 4
4	From Circuit Breaker for Relay 4

The 12 VDC voltage connections are made through J2 (3-pin Mate-N-Lok connector on the low voltage side of the Control Module). The +12 volts should be supplied from a source fused at 3 Amps minimum and capable of delivering up to 1 Amp of AVERAGE current. Protecting this connection with a higher rated fuse is acceptable since the EMS is internally protected with a 3Amp fuse.

Connections are as follows:

<u>J2 Pin</u>	<u>Function</u>
1	+ 12 Volts
2	Gen Set Run Input
3	Ground

Intellitec

131 Eisenhower Lane North
Lombard, IL 60148
630.268.0010 / 1.800.251.2408

50 AMP Smart Energy Management System™ Model 800

DISTRIBUTION PANEL *(continued)*

The low voltage controlled load connections are made through J4 (6 pin Mate-N-Lok connector on the low voltage side of the control module).

Connections are as follows:

<u>J4 Pin</u>	<u>Function</u>
1	Relay 5 N. O.
2	Relay 5 COMMON
3	Relay 5 N. C.
4	Relay 6 COMMON
5	Relay 6 N. C.
6	Relay 6 N. O.

The low voltage controlled load relay connections are typically made to the thermostat wires of the air conditioners. The normally open contacts are wired in "series" with the thermostat. This means that the thermostat wire is cut and the two ends are wired to the *Common* and the *Normally Open* contacts of the relay/s. In this way, the EMS can interrupt the operation of the compressor just as the thermostat does. The low voltage wires are brought into the box through the large hole in the lower right-hand corner of the back of the box.

Several methods to utilize Relay 5 and 6 connections for controlling air conditioner systems with the EMS are listed:

- 1) If only the compressors of the front and rear A/C's are to be controlled, connections are typically made to the low voltage compressor control wires of the air conditioners. The *Normally Closed* contacts are wired in "series" with the compressor control lead. This means that the compressor control wire is cut and the two ends are wired to the *Common* and the *Normally Closed* contacts of Relay 5, or 6. *In this way, the EMS can interrupt the operation of the compressor, just as the thermostat does.*
- 2) If both the compressors and fans of the front and rear A/C's are to be controlled, connections are typically made to the low voltage thermostat control wires of the air conditioners. The *Normally Closed* contacts are wired in "series" with each thermostat control lead. This means that the thermostat control wire is cut and the two ends are wired to the *Common* and the *Normally Closed* contacts of Relay 5 or 6. *In this way, the EMS can interrupt the operation of the compressor and fans, just as the thermostat does.*
- 3) If the compressor and fan for one of the A/C systems are to be controlled individually, connections are typically made to the individual low voltage thermostat control wires for the fan and compressor of the air conditioner. The Relay 6 connections are typically made to the low voltage compressor control wires of the air conditioner to control the compressor. The *Normally Closed* contacts are wired in "series" with the compressor control lead. This means that the low voltage compressor control wire is cut and the two ends are wired to the *Common* and the *Normally Closed* contacts on Relay 6. The Relay 5 connections are typically made to the low voltage thermostat control wires of the air conditioner to control the fan. The *Normally Closed* contacts are wired in "series" with the thermostat control lead. This means that the low voltage thermostat control wire is cut and the two ends are wired to the *Common* and the *Normally Closed* contacts on Relay 5. *In this way, the EMS can interrupt the operation of the fan, just as the thermostat does.*

Finally, on the Control Module, there is a small 2-pin plug, labeled J1, which is only used for the High Pot Test on the system. When the two pins are shorted together, the EMS will operate without the presence of 120 VAC.

Now the **EMS** should be moved into the mounting hole, being careful not to pinch any of the wires. It should be screwed in place using four # 8, round head screws into the 4 holes in the side flanges. The front cover should be secured into place with the 6 screws provided in the holes in the top and bottom flanges.

Intellitec

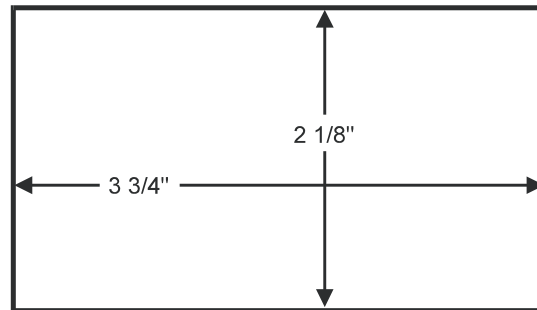
131 Eisenhower Lane North
Lombard, IL 60148
630.268.0010 / 1.800.251.2408

50 AMP Smart Energy Management System™ Model 800

DISPLAY PANEL

Select a convenient location for the panel, where it can be easily viewed by the owner.

Cut a hole for the panel as shown:



Remote Panel Cutout

The Display Panel is equipped with a six inch long pigtail, with a 3-pin, Mate-N-Lock female connector. An extension harness, up to 100 feet long, can be attached between the Display Panel and the EMS Control Module, with a 3-pin male Mate-N-Lock plug at the Display Panel end and a 4-pin, male, Mate-N-Lock plug at the Control Module end.

The wiring of the plug at the Control Module end determines the system configuration as follows:

- 1) Stand-Alone Mode - Pins 1 thru 3 on the 3-pin plug connect to the corresponding pins on the 4-pin plug. In addition, pin 4 on the 4-pin plug should be connected to pin 2.
- 2) RV Multiplex Master Mode - Pins 1 thru 3 on the 3-pin plug connect to corresponding wires in the RV Multiplex system and the corresponding pins on the 4-pin plug. In addition, pin 4 on the 4-pin plug should be connected to pin 2.
- 3) PMC Mode - Pins 1 thru 3 on the 3-pin plug connect to the corresponding pins on the 4-pin plug. No connection should be made to pin 4 on the 4-pin plug.

The Display Panel should be plugged onto the mating 3-pin, Mate-N-Lock connector in the harness, insuring that it is fully seated and locked. The panel should then be installed in the hole and screwed in place using two, # 6, flat head screws through the holes in the panel. A white function label should be lettered to correspond to the order of load shedding and installed behind the cover label. The cover label should be placed against the front panel and the trim bezel snapped on to hold the label in place.

Plug the 4-pin plug into J5 on the EMS Control Module, insuring that it is fully seated and locked.

PERFORMANCE TEST

The system is now ready for testing.

HI-POT TEST

At the installers preference, to assure there are no potential shorts, a Hi-Pot test can be performed on the installation. To do this, +12 volts must be applied to the system. A jumper wire must be installed to tie the two pins of the "Hi-Pot Test" plug, J1, to turn the system ON without the presence of 120 volt power. This plug is located on the right side of the EMS Control module. The relays on the module should be heard clicking as they pull in. On the Display Panel, the LED's should light and the numeric display should read "0". The Hi-Pot test should now be conducted in accordance with standard procedures for the tester being used. Assuming the system passes, the covers should be taken off and the jumper removed from J1. *If not, the problem must be corrected before proceeding further.*

Intellitec

131 Eisenhower Lane North
Lombard, IL 60148
630.268.0010 / 1.800.251.2408

50 AMP Smart Energy Management System™ Model 800

SYSTEM TEST

All the 120 volt loads should be turned off, or disconnected. Both 120 volt AC and 12 volt DC power should now be applied to the system. When this is done, the relays should be heard pulling in. On the Display Panel, the numeric display should read "0", the six Power Status LED's should come ON, and the "30 Amp" service type LED should light. A clamp-on type ammeter should be used to measure the current being supplied by the 30 Amp shore power cord.

Connect, or turn on one of the controlled AC loads. It should operate and the numeric display or the clamp-on ammeter should show the amount of current that load is drawn. Turn that appliance off and repeat this with each of the others. To test the load shedding, turn ON all the controlled appliances. The total current drawn should exceed 30 Amps. *(If not, add additional loads to the non-controlled receptacles.)* When the total amount of current exceeds 30 Amps, the loads should begin to turn off to bring the total below 30 Amps.

FUSES

F1 - 5Amp, ATO type, for EMS Control Module circuitry only. **DO NOT replace with a fuse of higher rating.**
This could result in severe damage to the circuitry or create a possible fire hazard.

EMS CONTROL MODULE PLUGS, PINS, AND FUNCTIONS

J1 = 2 pin Molex KK-100 connector - HI-POT TEST Power Up

<u>Pin</u>	<u>Function</u>
1	Hi-Pot Override
2	Hi-Pot Override

J2 = 3 pin Amp Mate-n-Lok connector - Power connector

<u>Pin</u>	<u>Function</u>
1	+12 Volts Supply
2	+12 Volts Gen-Set Run input
3	Chassis GROUND

J3 = 2 pin Molex KK-156 - Current Sensor Connector

<u>Pin</u>	<u>Function</u>
1	Current Sensor Input
2	Current Sensor Input

J4 = 6 pin Amp Mate-n-Lok connector - Control Relays 5 & 6 contacts

<u>Pin</u>	<u>Function</u>
1	Relay 5 N.O.
2	Relay 5 COM.
3	Relay 5 N.C.
4	Relay 6 COM.
5	Relay 6 N.C.
6	Relay 6 N.O.

Intellitec

131 Eisenhower Lane North
Lombard, IL 60148
630.268.0010 / 1.800.251.2408

50 AMP Smart Energy Management System™ Model 800

EMS CONTROL MODULE PLUGS, PINS, AND FUNCTIONS (continued)

J5 = 4 pin Molex KK .156 - Display Panel Connector Mating Housing Molex 09-50-3041

<u>Pin</u>	<u>Function</u>
1	Power
2	Data IN
3	GROUND
4	RV Master Com OUT

J6 = 5 Position Terminal Block

<u>Term</u>	<u>Function</u>
1	From Circuit Breaker for Relay 2 (Must be connected to a LINE 2 Breaker)
2	Output of Relay 2
3	From Circuit Breaker for Relay 1 (Must be connected to a LINE 1 Breaker)
4	Output of Relay 1
5	NEUTRAL

J7 = 4 Position Terminal Block

<u>Term</u>	<u>Function</u>
1	Output of Relay 3
2	From Circuit Breaker for Relay 3
3	Output of Relay 4
4	From Circuit Breaker for Relay 4

NOTE J6 and J7 terminal blocks - Will accept up to 12 GA or 14 GA copper wire ONLY.

50 AMP Smart Energy Management System™ Model 800

TROUBLE SHOOTING

If the following problems occur, proceed with analysis in the order in which these steps are listed:

I. No 120 VOLT appliances working.

- A. Check incoming power source.
 - 1. Make sure the shore power cord is plugged into the outlet.
 - 2. Check the circuit breaker at the shore power outlet to be sure it is set. Turn it off and then back on.
 - 3. Check the 50 Amp Main circuit breakers in the EMS Distribution Panel to be sure they are set. Turn them off and then back on to be sure.
 - 4. Using a circuit checker, be sure the 30 Amp shore power outlet has 120 VOLTS available.
- B. Check "Change-Over" relay, if so equipped.
 - 1. Measure the voltage at the incoming side of the Main 50 Amp breaker. If voltage is NOT the same as the incoming line, repair the change-over. (*Refer to the Change-Over service literature for trouble shooting.*)

II. 120 VOLTS available at non-controlled appliances and receptacles. Controlled appliances do not operate.

- A. Check the 12 volt power to the EMS module.
 - 1. Check 12 volt, 3 Amp fuse on EMS Control Module. Replace if necessary.
- B. Check 120 volt circuit breakers in EMS
 - 1. Reset circuit breakers if necessary.
 - 2. Check for presence of voltage at branch circuit breakers with voltmeter.
 - 3. Check for presence of voltage at EMS terminals with voltmeter.
 - 4. Check wire from EMS Control Module to neutral bar is installed.

III. Some controlled appliances turn on, others do not.

- A. Reduce total current, appliance may be shed.
- B. Check wiring to and from EMS Control Module.
 - 1. Check wiring from circuit breakers to EMS Control Module.
 - 2. Check wiring from EMS Control Module to controlled appliance.
 - 3. Check for power at associated EMS relay terminal.

IV. Branch circuit breaker trips when power is applied.

- A. Check wiring for shorts.

V. Air conditioner doesn't work.

- A. Check thermostat wiring and settings.
- B. Check Air Conditioner

Intellitec

131 Eisenhower Lane North
Lombard, IL 60148
630.268.0010 / 1.800.251.2408

50 AMP Smart Energy Management System™ Model 800

TROUBLE SHOOTING (continued)

VI. Shedding order incorrect.

- A. Check jumper setting (*Figure on page 5 and Tables on page 6.*)
- B. Check relay wiring per Table on page 6.

VII. Remote Display out, or strange characters are displayed.

Check wiring between J5 on EMS Control Module and Display Panel.

<u>Pin</u>	<u>Function</u>	<u>Voltage</u>
1	Power	12 VDC
2	Data IN	~9 VDC
3	Ground	GROUND
4	RV Master OUT	~9 VDC

Both the EMS Control Module and Display Panel have internal protection. Shorts, or mis-wiring, should not cause the units to fail.

VIII. Remote Display does not indicate "GEN SET" service source when generator is running.

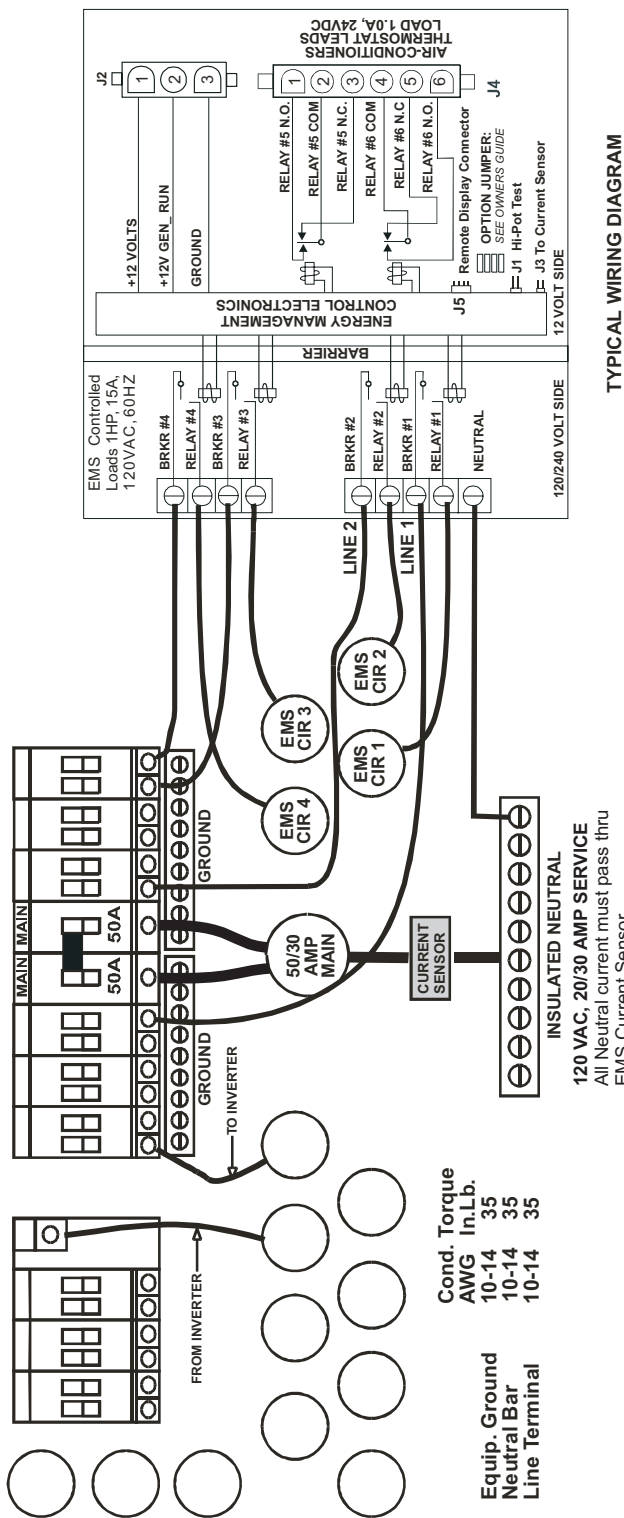
Check wiring between generator run light circuit and J2, pin 2, on the EMS Control Module. J2, pin 2, should measure 12 VDC, or greater when generator is running and 0 VDC, otherwise.

VIX. Remote Display does not indicate "50 AMP" service source when 50 Amp 240 VAC shore power is connected.

Check to make sure that jumpers are present between any LINE 1 breaker and J6, terminal 3, and any LINE 2 breaker and J6, terminal 1. Also, check that the "NEUTRAL" jumper is in place, between J6, terminal 5 and a position on the NEUTRAL block.

With "50 Amp" service available, the voltage between J6-3 and J6-1 should measure 240 VAC. With any other source, the voltage between J6-3 and J6-1 should measure 0 VAC. In addition, the voltage measured between J6-3 and J6-5 should be 120 VAC and the voltage measured between J6-1 and J6-5 should be 120 VAC.

50 AMP Smart Energy Management System™ Model 800



50 AMP Smart Energy Management System™ Model 800

Intellitec

131 Eisenhower Lane North
Lombard, IL 60148
630.268.0010 / 1.800.251.2408