

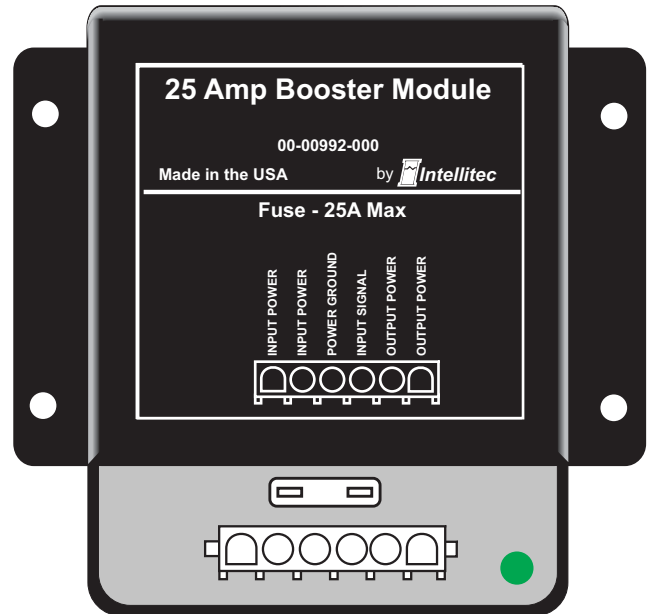
The 25 Amp Booster Module can be used in conjunction with Intellitec's PMC Output Modules to boost the output current to 25 Amps. The module's output will be a replica of the input, providing the capability of dimming up to a 25 Amp lighting load. By powering part of the load from the Output module and the remainder from the Booster, loads of up to 35 Amps can be controlled from a single input. Additional modules can also be paralleled to drive even higher loads if that is necessary.

Similarly, the module can also be used to boost the output of Intellitec's lamp dimmer (Part Number 00-00263-XXX).

Another application of this module is to use it as a solid state relay by simply providing a low current, 12 volt DC input.

The Module includes a 25 Amp ATO style fuse, on board, for circuit protection. It is also protected against low battery voltage. In the event the battery voltage drops below 9 volts, the module will turn off the load. When the voltage rises above that point, the load will turn on.

An LED indicator will light when the output is on. If the fuse is blown and the input is available, the LED will blink to aid in the diagnosis of circuit problems.



The Module is housed in a plastic package suitable for mounting in a weather protected environment. The housing is approximately 4 1/4" X 4 1/4" X 1 1/4".



131 Eisenhower Lane N., Lombard, IL 60148  
630 268 0010 800 251 2408  
www.intellitec.com

# 25 Amp Booster Module

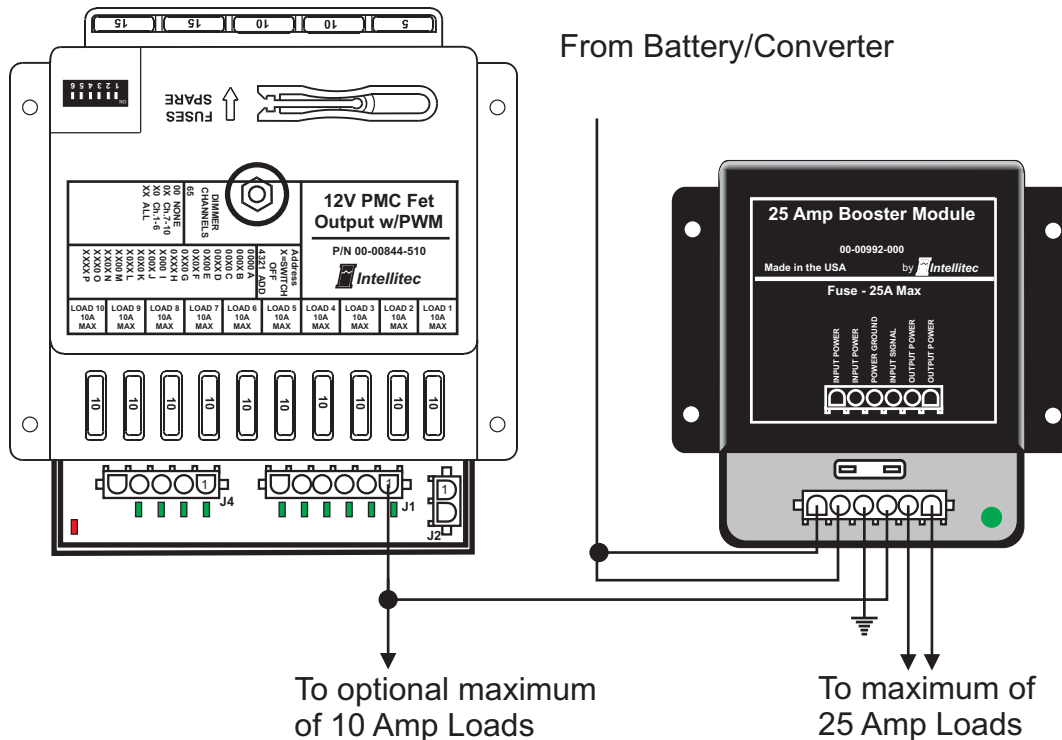
00-00992-000

## SPECIFICATION

Module Part number 00-00992-000

Nominal Vehicle Voltage	12 VDC
Maximum Voltage	18 VDC
Maximum Output Current	25 Amps
Low Voltage Shut-down	9 volts
Environmental Temperature	-20 to +85 C

## Typical Connection



Note: Design the installation so that the maximum current flowing through any Mate-N-Lok connector does not exceed 15 amps continuous.