

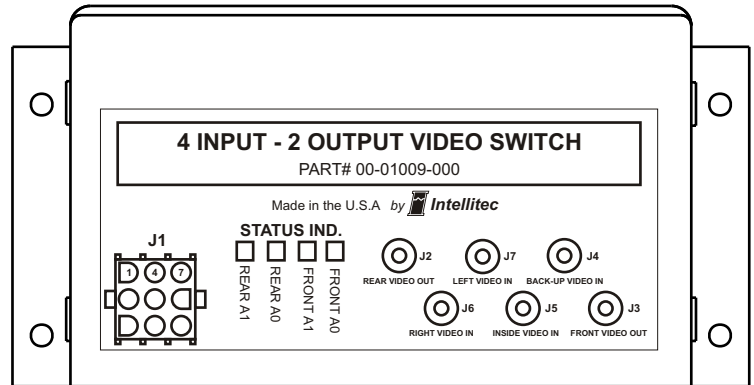
Four Input Channel to Two Output Channel Video Switch

Intellitec's Four Channel Video Switcher is intended for use in selecting the video source for up to two monitors from four different video sources. The selection is done from remotely mounted rotary switches that are connected to the controller via simple two-wire cable. This simple switching feature minimizes the amount of wiring and lessens the mistakes in wiring when installing the units.

In addition to the switch selectable video source, the front monitor video output is also controlled by three positive going signals that over-ride the switch selection. These inputs can be from a turn signal, or back-up signal in a motor home so the front display monitor will always show the most important video. The turn signal inputs are configured to keep the input switched to their respective cameras for approximately two seconds after the signal goes away. This allows the pulsing signal from the turn signal to be used for switching. The back-up signal has priority over the turn signal inputs.

A 75 Ohm termination is provided for each of the video camera inputs, which are switched electronically, and video amplifiers are provided to drive the video outputs at unity gain into a 75 Ohm line impedance at standard NTSC composite video signal levels.

This unit is designed to withstand the harsh electrical environment of RV and will withstand load dump and spiking, and the video inputs and outputs are ESD protected.



The unit is also equipped with diagnostic LED's for the Front and Rear Monitor outputs to indicate which video source is active. Sources and Destinations are displayed per the table below:

FRONT A0	FRONT A1	REAR A0	REAR A1	SOURCE CAMERA	DESTINATION MONITOR
OFF	OFF	ON or OFF	ON or OFF	BACK-UP	FRONT
ON	OFF	ON or OFF	ON or OFF	INSIDE	FRONT
OFF	ON	ON or OFF	ON or OFF	RIGHT	FRONT
ON	ON	ON or OFF	ON or OFF	LEFT	FRONT
ON or OFF	ON or OFF	OFF	OFF	BACK-UP	REAR
ON or OFF	ON or OFF	ON	OFF	INSIDE	REAR
ON or OFF	ON or OFF	OFF	ON	RIGHT	REAR
ON or OFF	ON or OFF	ON	ON	LEFT	REAR

The Control Switch for the unit is available as Intellitec p/n 00-01009-100 and is a four position (90 degree) rotary switch, with the necessary control circuitry, wired to a 2 pin Mate-N-Lock connector via a 6 inch long pigtail. It can be bushing mounted to a panel with a 3/8 inch diameter clearance hole. A Control Switch is required for each of the Front and Rear Monitor outputs.



Intellitec
 131 Eisenhower Lane North
 Lombard, IL 60148
 630 268 0010 / 1 800 251 2408
 FAX 630 916 7890

P/N 53-01009-000 Rev. X2 050707

Four Input Channel to Two Output Channel Video Switch

Specifications:

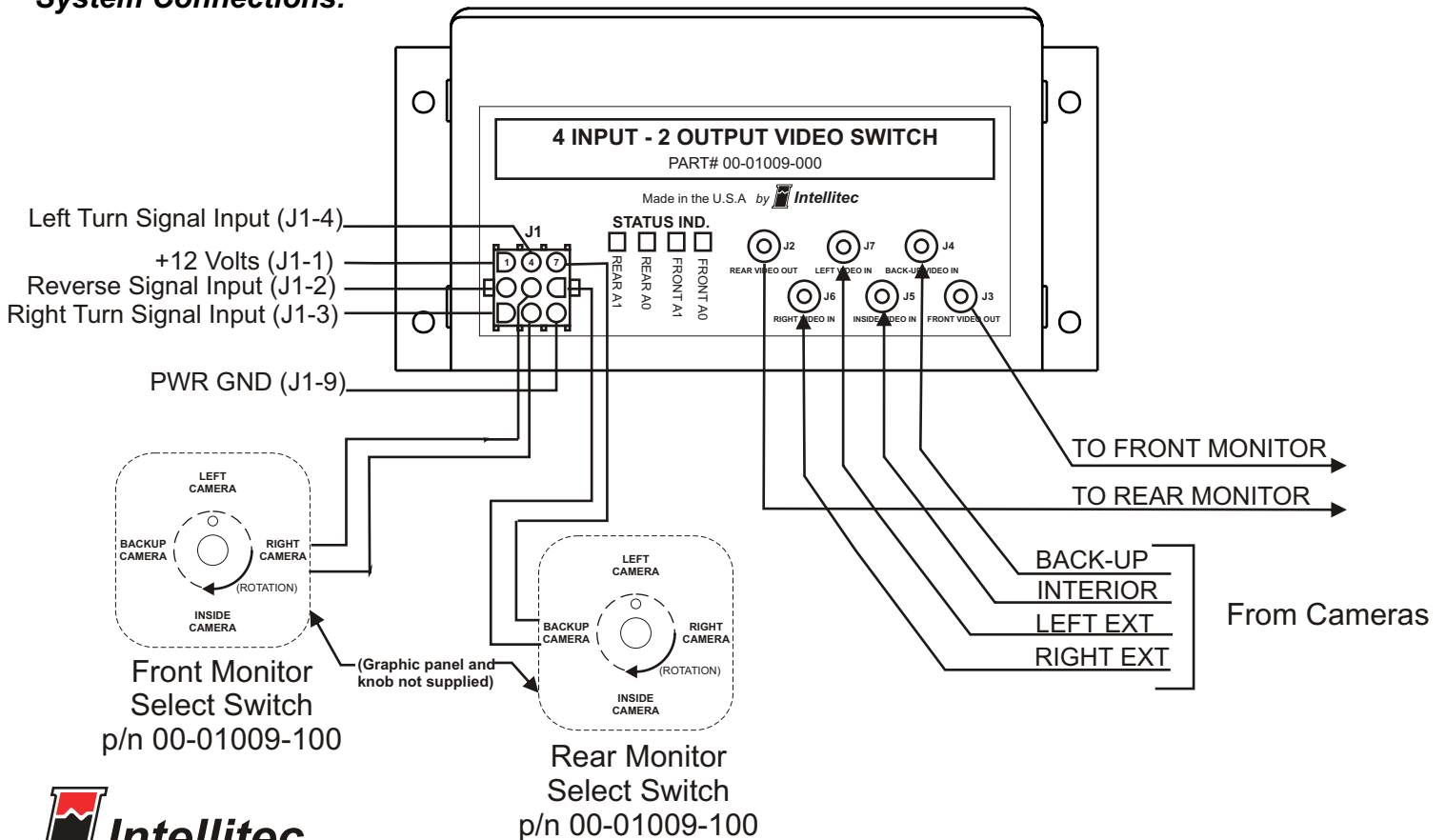
Part Number: 00-01009-000 Video Switch Module Module -

Supply Current: 0.05A_{dc}
 Ambient Temperature Range: -40C to +85C
 Normal Supply Voltage Range: 10 to 18 volts
 Short Term Over Voltage Protection: +26 volts
 Reverse Voltage Protection: - 300 volts
 Positive Voltage Spike Protection: +150 volts
 Operating Environment: Interior of vehicle, out of direct exposure to weather

Part Number: 00-01009-100 Video Control Switch -

Configuration: Four Position (90 Degrees) Rotary Switch
 Mounting configuration: 3/8" - 32 threaded bushing - 5/16" (.313") long - supplied with mounting nut
 Maximum panel thickness: 7/32" (.219")
 Shaft Configuration: 1/4" (.250") dia. - .217" flat X 11/32" (.343") long
 Resistance between control inputs J1-5 & J1-6 (Front Monitor) or J1-7 & J1-8 (Rear Monitor) Control:
 Back-Up Camera Select = Open Circuit
 Interior Camera Select = 3.5K Ohms
 Right Camera Select = 2.5K Ohms
 Left Camera Select = 1K Ohms

System Connections:



Intellitec

131 Eisenhower Lane North
 Lombard, IL 60148
 630 268 0010 / 1 800 251 2408
 FAX 630 916 7890

P/N 53-01009-000 Rev. X2 050707