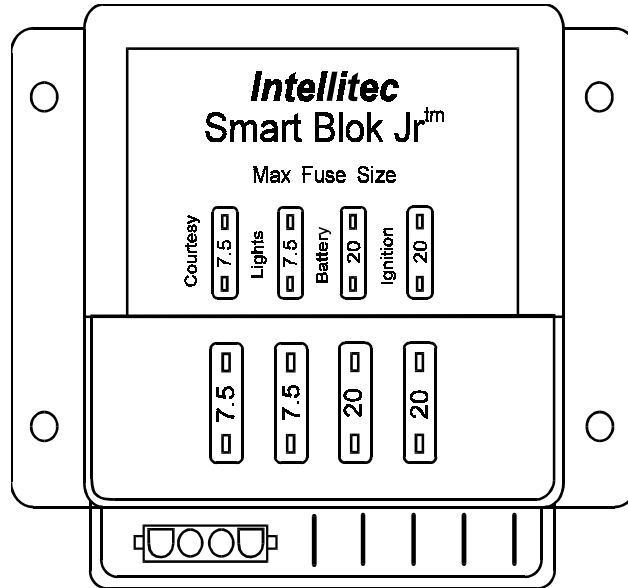


SMART FUSE BLOCK, Jr.

SERVICE MANUAL



Intellitec Part Number 00-00333-000

Note: The SMART FUSE BLOCK, JR., Jr. is a centralized power switching, fusing, and distribution center. Power from both the ignition and battery is fed into the block. The power of the battery is available at this box. Inadvertent shorts at this box could result in damage and/or injury. All servicing of this box should be done only by a qualified Service Technician.

Tools required: Low current Test Light, Accurate Voltmeter (digital read-out preferred)

INTELLITEC

131 EISENHOWER LANE NORTH
LOMBARD, ILLINOIS 60148
630-268-0010 / 1-800-251-2408

SMART FUSE BLOCK, Jr.

PRODUCT DESCRIPTION

The **SMART FUSE BLOCK, JR., Jr.** is intended to be used in conversion vehicles using a simple electrical system. It provides fusing for the converter-added loads as well as time controlled outputs for use with lighting and TV circuits. These timed outputs provide a number of customer pleasing features.

Following are important customer features in this system:

Automatic Interior Light Delay - keeps the interior lights on for 12 seconds after closing the doors or until the ignition switch is turned on.

Automatic Timed OFF Function - allows the use of the interior lights or TV for ten minutes after the ignition is turned off or the doors are opened and closed. After the ten minute time period, the power to the lights and TV, goes off automatically. If the doors are left open, the lights (except GM courtesy lights on "B" pillar) also go out in 10 minutes.

Automatic Low Voltage Shut Down - when the loads are operated, the battery voltage is monitored. If it goes below 12 volts, the loads (except the GM courtesy lights on the "B" pillar) will be shut off in 2 minutes, minimizing the risk of the loads fully discharging the battery.

Installation - This module is designed to work in all brands of vehicles. The module is mounted at the "B" pillar and gets it's power from the OEM harness. Two wires are connected to the OEM dome light wires to provide the signal for the interior light delay. The van harness is plugged into the module. Power for all the converter-added loads is supplied from this module.

Operation - When a door is opened, power is turned on to the Courtesy Lights and Lights Power outputs. When the doors are closed, the Courtesy Lights output remains on for 12 seconds or until the ignition is turned on. The Lights Power output is on all the time the ignition is on and for ten minutes after the ignition is turned off or a door is opened.

HOW IT WORKS

Fuses

The **SMART FUSE BLOCK, JR.** provides fusing and timed switching for the converter-added loads. There are four fuses on this block to feed loads. These fuses are fed from four sources: Battery, Ignition, Ignition Plus, and Courtesy Light. (See Figure 1)

<u>Fuse</u>	<u>Name</u>	<u>Size</u>	<u>Source</u>
F4	Spare Ignition	20 Amp	Ignition
F3	Spare Battery	20 Amp	Battery
F2	Lights Power	7.5 Amp	Battery
F1	Courtesy Lights	7.5 Amp	Battery

The Battery fuse is used for a circuit that feeds intermittent or uninterruptable loads, such as power sofa and 12 volt outlet, which may be used to supply a 12 volt cooler. The Ignition fuse is used for a circuit that feeds loads that should operate only when the ignition is turned on, such as rear fan. The Ignition Plus

INTELLITEC

131 EISENHOWER LANE NORTH
LOMBARD, ILLINOIS 60148
630-268-0010 / 1-800-251-2408

SMART FUSE BLOCK, Jr.

fuse feeds the lights, radio, and TV, so they can operate any time the ignition is on and up to ten minutes after it is off. The Courtesy Light fuse feeds the courtesy light circuit.

BATTERY & IGNITION

The Battery and Ignition circuits are not controlled by the **SMART FUSE BLOCK, JR.** Power to these outputs is brought into the fuse block from the OEM wiring and is fused on the block in a normal fashion.

IGNITION PLUS

The Ignition Plus output is switched by a relay in the block, that is operated by a timer. This timer is reset by an opening of a door or ignition. The ignition holds the timer in reset, so this output will be on all the time the ignition is on. This output will remain on for ten minutes after the ignition is turned off. (See Figure 2)

The timer has two speeds which are dependent on the incoming battery voltage. If the battery is higher than 12.1 volts, the clock runs at its normal speed. If the battery drops below 12.1 volts, the clock speeds up approximately 5 times so the timer will shut off in about 2 minutes instead of the normal 10 minutes.

COURTESY LIGHTS

The Courtesy Light power is switched by a relay in the block, which is operated by a timer. This timer keeps the lights on while the doors are opened and for up to 12 seconds after they closed. If the ignition is turned on during this 12 seconds, the Courtesy Lights go out immediately.

The timer receives its input from the OEM dome light circuit. This circuit is brought into the module via two pins of plug, J1. When the door is opened, 12 volts appears between these two pins. (The circuitry will accept either polarity of voltage at this plug.) When 12 volts is sensed by the **SMART FUSE BLOCK, JR.**, it turns on the Courtesy Light output. When the doors are *ALL* closed, the Courtesy Light timer begins to run, holding the lights on for 12 seconds. If the ignition is turned on, the lights will go out immediately. This relay feeds power through fuse F1, to J1, pin 2.

The power for this circuit is fed from the Ignition Plus circuit, so that if the doors are left open, the Courtesy Lights (Except the two GM courtesy lights on the "B" pillars.) will go off in ten minutes. To get the Courtesy Light output to come on again after this happens, the Ignition Plus circuit will have to be reset. This can be done by closing *ALL* the doors and reopening one, or the ignition can be turned on.

INTELLITEC

131 EISENHOWER LANE NORTH
LOMBARD, ILLINOIS 60148
630-268-0010 / 1-800-251-2408

SMART FUSE BLOCK, Jr.

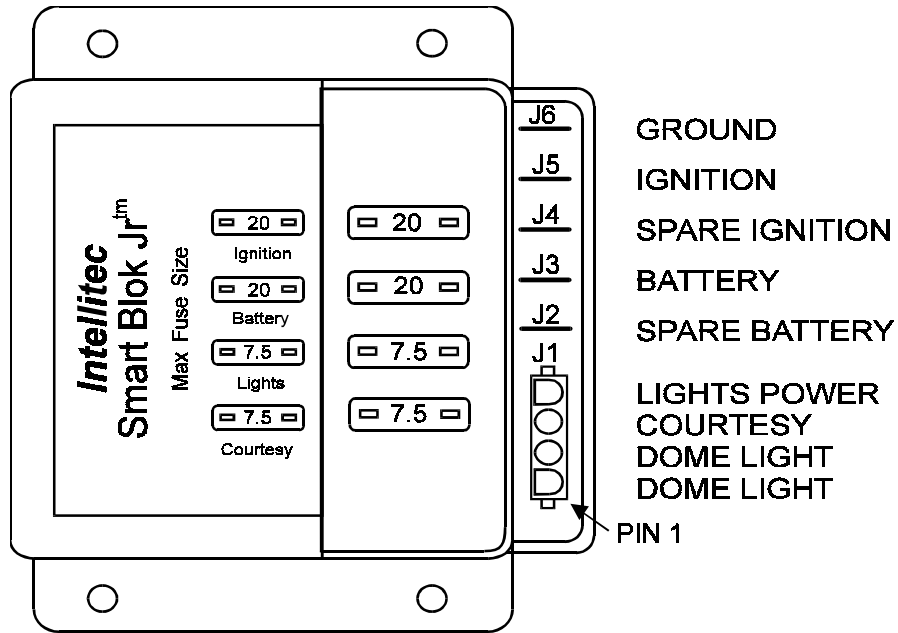


FIGURE 1

INTELLITEC

131 EISENHOWER LANE NORTH
LOMBARD, ILLINOIS 60148
630-268-0010 / 1-800-251-2408

SMART FUSE BLOCK, Jr.

TROUBLE SHOOTING

BATTERY AND IGNITION CIRCUITS

The OEM Battery and Ignition circuits are fused in the block. If these outputs fail, check the fuses, F3 20 Amp, F4 20 Amp, using a test light. If any of these have failed, replace them with the same sized fuse. If these are all good, check the OEM power feeds coming into J3 and J5.

IGNITION PLUS

The Ignition Plus relay should operate each time the ignition is turned on. To check this, turn the ignition on while listening to the relay in the **SMART FUSE BLOCK**. Power for this circuit comes from the OEM battery and ignition circuits. Check for the presence of these voltages before going further.

Problem	Possible Cause/Solution
Lights Power doesn't come on.	Fuse F1 7.5 Amp open. Check and replace fuse. Faulty OEM ignition feed. Check for power coming from the OEM ignition feed at J4 Faulty Ground to module. Check Ground at J6 Replace module.

COURTESY LIGHTS

The Courtesy Lights output should be on all the time the doors are opened *AND* the ignition is turned on. To check this output, open the door and turn the ignition on. Power for this circuit comes from the OEM battery and ignition circuits. Check for the presence of these voltages before going further.

Problem	Possible Cause/Solution
Courtesy Lights won't come on when the doors are open.	Courtesy Light fuse open. Replace fuse (F1 7.5 Amp) Door pin switches not working. Unplug J1, check for 12 volts between pins 3 and 4 of harness when the door is open, 0 volts when <i>ALL</i> the doors are closed. Replace module.
Courtesy Lights won't go off for ten minutes after <i>ALL</i> the doors are closed.	Door pin switch stuck or shorted. Unplug J1, Lights Power relay should go off in 12 seconds. Replace module.

INTELLITEC

131 EISENHOWER LANE NORTH
LOMBARD, ILLINOIS 60148
630-268-0010 / 1-800-251-2408

SMART FUSE BLOCK, Jr.

FUSES

The fuses used are standard, plastic "ATO", blade (automotive) type.

There are 4 positions for the fuses in the module. These are fed directly from the battery, through the ignition, Ignition Plus relay, and the Courtesy Light relay.

The 4 fuses and their sizes are as listed:

<u>Ignition Switched</u>	<u>Fuse</u>	<u>Fuse</u>	<u>Connector</u>
<u>Spare Ignition</u>	<u>Number</u>	<u>Size</u>	<u>Pin-Out</u>
	F3	20 Amp	J4
<u>Constant Battery</u>			
Power Sofa	F4	20 Amp	J2
<u>Ignition Plus Output</u>			
Lights	F2	7.5 Amp	J1 - 1
<u>Courtesy Light Output</u>			
Courtesy Lights	F1	7.5 Amp	J1 - 2

PLUGS - PINS & FUNCTIONS

J1 - 4 pin in-line Mate-N-Lock

<u>Pin</u>	<u>Function</u>	<u>Fuse</u>
1	Lights Power	F2
2	Courtesy Lights Output	F1
3	Dome Light	
4	Dome Light	

J2 Spare Battery Power Output
J3 Battery Power Input
J4 Spare Ignition Output
J5 Ignition Power Input
J6 Ground

INTELLITEC

131 EISENHOWER LANE NORTH
LOMBARD, ILLINOIS 60148
630-268-0010 / 1-800-251-2408

SMART FUSE BLOCK, Jr.

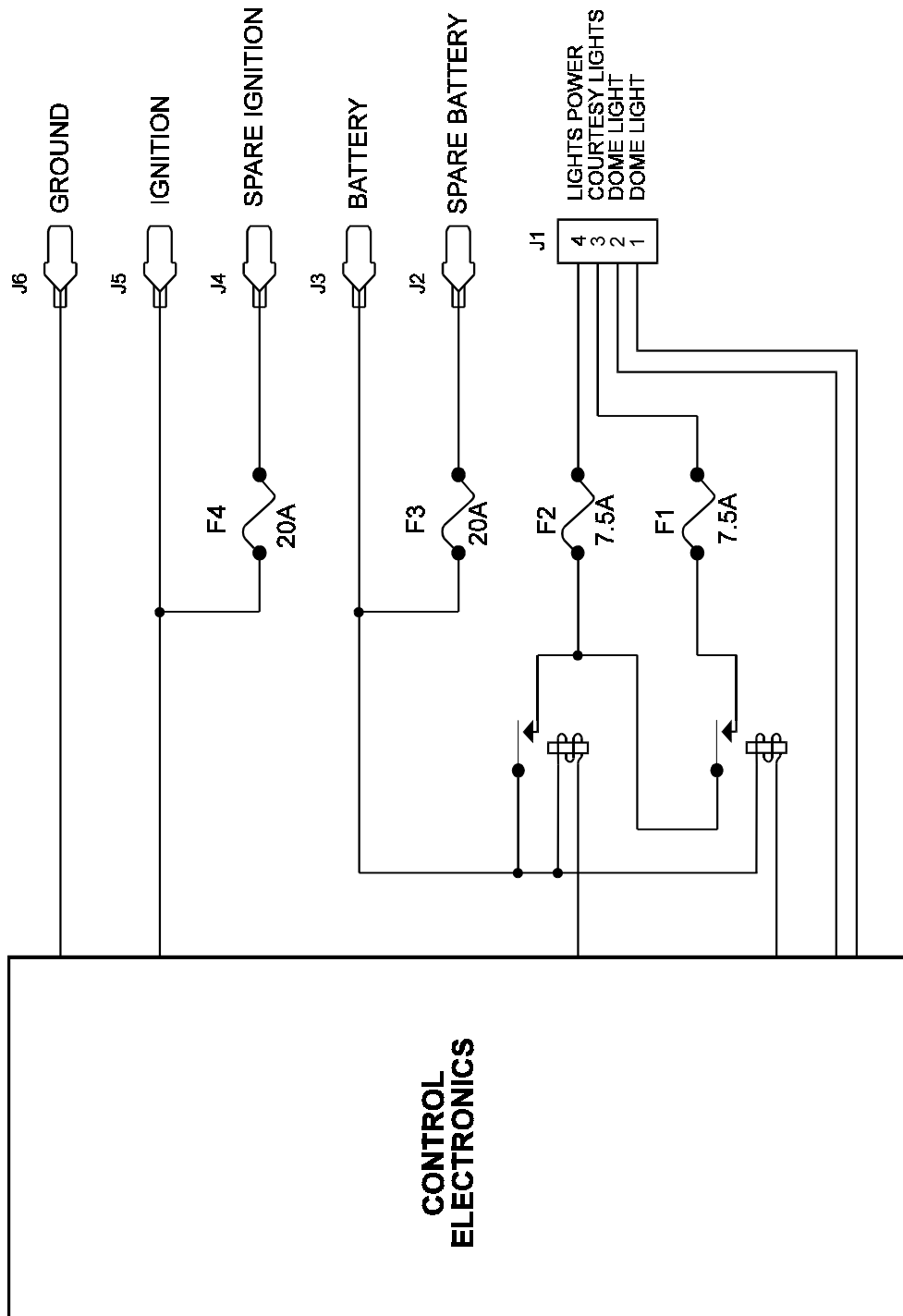


FIGURE 2

INTELLITEC

131 EISENHOWER LANE NORTH
 LOMBARD, ILLINOIS 60148
 630-268-0010 / 1-800-251-2408

SMART FUSE BLOCK, Jr.

INTELLITEC

131 EISENHOWER LANE NORTH
LOMBARD, ILLINOIS 60148
630-268-0010 / 1-800-251-2408