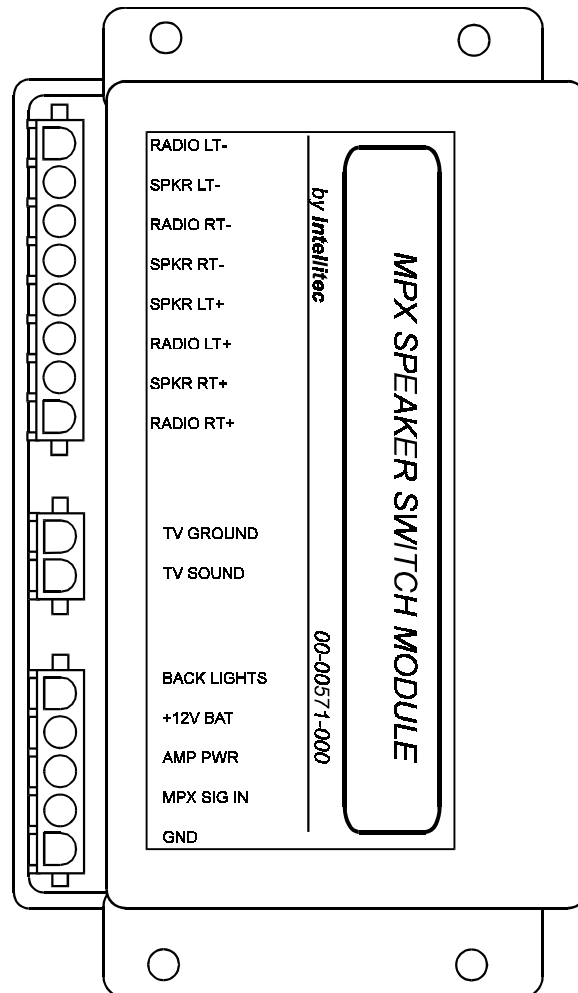


MONOPLEX SPEAKER SWITCH

SERVICE MANUAL



Intellitec Part No. 00-00571-000

Note: The MONOPLEX SPEAKER SWITCH is a centralized audio switching center. Power from both the ignition and battery is fed into the module. The power of the battery is available at this box. Inadvertent shorts at this box could result in damage and/or injury. All servicing of this box should be done only by a qualified Service Technician.

Tools required: Low current Test Light, Accurate Voltmeter (digital read-out preferred)

INTELLITEC

131 EISENHOWER LANE NORTH
LOMBARD, ILLINOIS 60148
630-268-0010 / 1-800-251-2408

MONOPLEX SPEAKER SWITCH

PRODUCT DESCRIPTION

The MONOPLEX Speaker Switch is intended to be used in conversion vehicles to switch the rear speakers from a radio to the TV. This allows the TV sound to be brought out through the rear speakers. The module is designed so it can work with an audio amplifier that has a control input that turns the amplifier on or off.

When the ignition is turned on, the rear speakers will be muted. The power to the amplifier will be turned off. At the first press of the switch, the speakers will be connected to the radio inputs and the amplifier is turned on.

The next press of the switch will connect the speakers in series and turn on the amplifier, bringing the TV sound out of the rear speakers. The third press will mute sound. Then the process is repeated.

HOW IT WORKS

The MONOPLEX Speaker Switch provides a means of switching the two rear speakers to allow switching between the four radio inputs and two TV inputs. The actual switching is done with relays. These relays are controlled by the control electronics to provide the functions of the unit. When the unit is not powered, the speakers are connected in series, but are not connected to any signal source. There is no amplifier power. At the first press of a remote switch, (a short to ground on the MPX bus) relays K1, K2 and K4 are pulled in, connecting the radio inputs to the speakers and providing power to the amplifier. At the next press of the switch, relays K1 and K2 drop out and relay K3 pulls in, connecting the speakers in series to the TV set. At the next press of the switch, relays K1, K2, K3, and K4 drop out, disconnecting the speakers and removing power to the amplifier, to repeat the cycle.

Power for the control electronics is provided from the back lighting circuit. When this power is applied, the system will come up in the mute mode.

INTELLITEC

*131 EISENHOWER LANE NORTH
LOMBARD, ILLINOIS 60148
630-268-0010 / 1-800-251-2408*

MONOPLEX SPEAKER SWITCH

PLUGS - PINS & FUNCTIONS

J1 - 5 pin AMP Mate-N-Lok

<u>Pin</u>	<u>Function</u>
1	Back Light/Power Input
2	+12 volt input
3	Amp power
4	MPX Switch bus
5	Ground

J3 - 2 pin AMP Mate-N-Lok

<u>Pin</u>	<u>Function</u>
1	TV Ground
2	TV Sound

J2 - 9 pin AMP Mate-N-Lok

<u>Pin</u>	<u>Function</u>
1	Radio Lt -
2	Speaker Lt -
3	Radio Rt -
4	Speaker Rt -
5	Speaker Lt +
6	Radio Lt +
7	Speaker Rt +
8	Radio Rt +

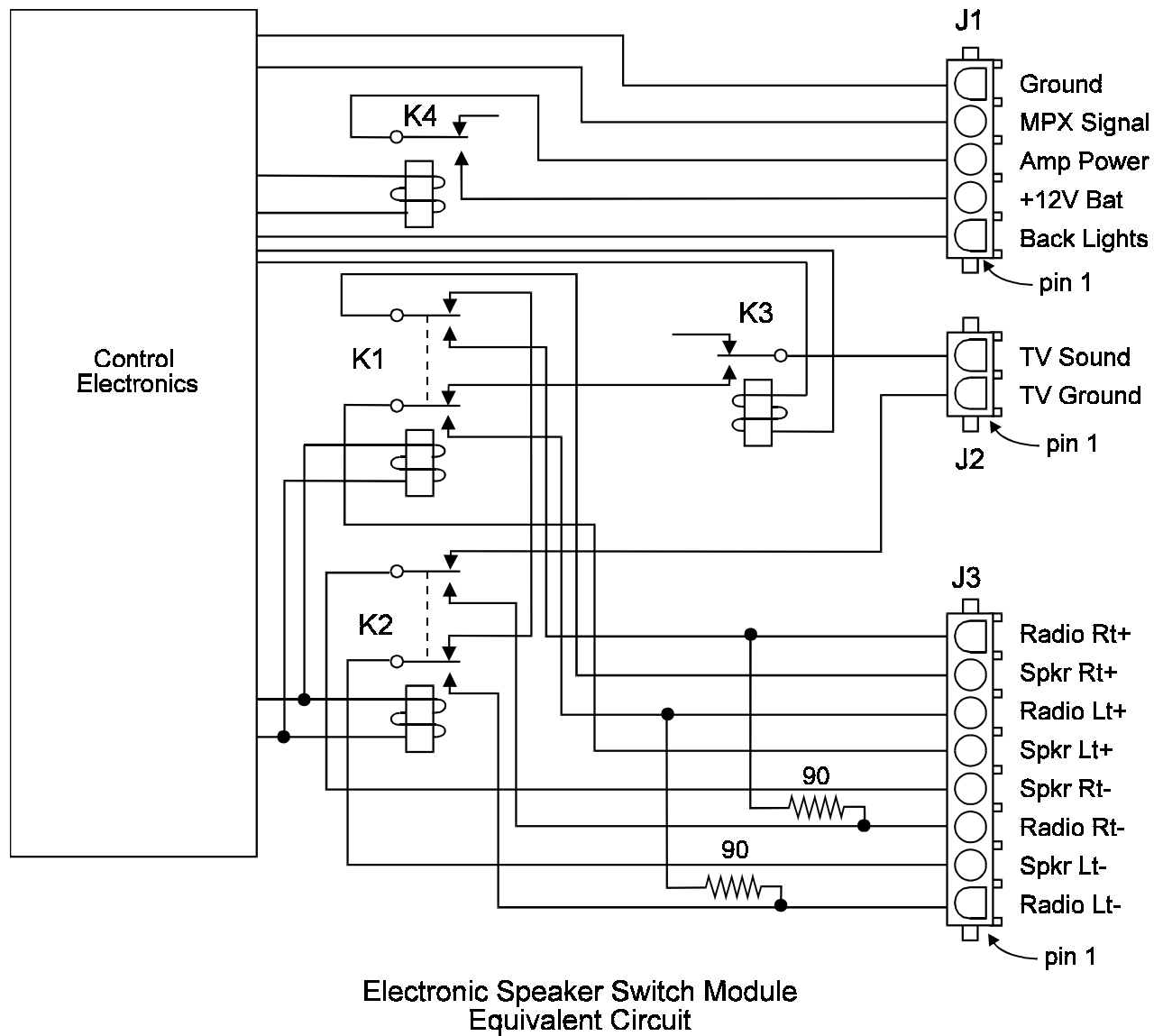
TROUBLE SHOOTING

<u>Problem</u>	<u>Possible Cause/Solution</u>
No radio sound from rear speakers.	Check for +12 volts coming to J1 - 1. If missing, check fuse F10 on Master. Check for power at amplifier. If missing, check fuse supplying amplifier. Check for radio fader settings. Set to middle of range.
TV sound won't come from speakers.	Check for +12 volts on J1 - 2. If missing, check wiring. TV sound not coming into J3. Check for sound signal at J3.
Won't switch functions.	Check voltage on Speaker Switch, J1 - 4. Should be +12 volts, no button pressed, 0 volts with a button pressed.
One channel not working.	Unplug J2. Check for continuity between corresponding inputs and outputs. If open, replace module.

INTELLITEC

131 EISENHOWER LANE NORTH
LOMBARD, ILLINOIS 60148
630-268-0010 / 1-800-251-2408

MONOPLEX SPEAKER SWITCH



INTELLITEC

131 EISENHOWER LANE NORTH
 LOMBARD, ILLINOIS 60148
 630-268-0010 / 1-800-251-2408